

AE-VC1B11-ISF DSM Camera



- 6 specific driving status monitoring
- 1/4" high-speed global shutter image sensor guaranteed excellent performance
- Built-in speaker
- DC 9-36 V
- 940 nm supplement light, not causing disturbance for driving

▪ Specification

Camera	
Min. Illumination	0.00 Lux@(F1.2, AGC ON)
Image Sensor	1/4" high-speed global shutter image sensor
Day & Night	Only support night mode
Angle Adjustment	Left and Right: -43°~43°; Front and Back: -43°~67°; Horizontal: 0°~360°
Lens	
Focal Length & FOV	6 mm: horizontal FOV 54°, vertical FOV 31°, diagonal FOV 62°
Lens Mount	M8
Lens Type	Fixed Lens
Illuminator	
Supplement Light Type	Infrared fill light (no red glow)
IR Wavelength	940nm
IR Range	Up to 10m
Video	
Max. Resolution	1280 × 720
Main Stream	50 Hz: 25 fps (1280 × 720) 60 Hz: 30 fps (1280 × 720)
Sub-Stream	50 Hz: 25 fps (704×576, 640×480, 352×288, 320×240) 60 Hz: 30 fps (704×576, 640×480, 352×288, 320×240)
Third Stream	50 Hz: 25 fps (1280 × 720) 60 Hz: 30 fps (1280 × 720)
Video Compression	Main Stream: H.264 , H.265 Sub-Stream: H.264 , H.265 , MJPEG Third Stream: H.264 , H.265
Video Bit Rate	Main Stream: 256kbps to 8192kbps Sub-Stream: 256kbps to 4096kbps Third Stream: 256kbps to 4096kbps
H.264 Type	BaseLine Profile / Main Profile / High Profile
H.265 Type	Main Profile
Bit Rate Control	Constant Bit Rate, Variable Bit Rate
Audio	
Audio Compression	G711U, G711A, G726, AAC, G722, PCM
Audio Bit Rate	64Kbps(G.711U)/64Kbps(G.711A)/16Kbps(G.726)/16Kbps(AAC)
Network	
Protocols	TCP/IP, ICMP, HTTP, HTTPS, DHCP, DNS, RTP, RTSP, NTP
Simultaneous Live View	Up to 8 channels
API	HIK SDK, ONVIF (PROFILE S/G/T), ISAPI
User Management	Up to 16 users, 3 levels: Administrator, Operator and User

Headquarters

No.555 Qianmo Road, Binjiang District,
Hangzhou 310051, China
T +86-571-8807-5998
www.hikvision.com



Follow us on social media to get the latest product and solution information.



Hikvision



HikvisionHQ



HikvisionHQ



Hikvision_Global



Hikvision
Corporate Channel



hikvisionhq

Web Browser	IE8+, Chrome45+, Edge41+, Firefox45+
Image	
Day/Night Switch	Night only
Interface	
Ethernet Interface	-RJ45: RJ45+DC Cable -M12: M12 Aviation Plug + Molex Cable
Audio	Audio Input: Built-in Mic Audio Output: Built-in Speaker
TF Card Storage	Built-in Micro TF Slot, up to 256 GB(not for baseline. Note the Micro-TF card capacity when ordering)
Event	
Smart Event	Distraction Prompt Detection, Fatigue Driving (Closing Eyes), IR Interrupting Sunglasses Detection, Tampering Detection, Seatbelt Unbuckled Detection, Fatigue Driving (Yawn) Detection, Driver Exception Detection, Tampering Detection
General	
Product Dimension	91.5 mm × 91.5 mm × 107.9 mm (3.6" × 3.6" × 4.3")
Power Consumption	DC: 0.19-0.78 A, 7 W MAX
Camera Material	Metal
Product Weight	Approx. 405 g (0.9 lbs.)
Startup and Operating Conditions	-30°C to 75°C (-22°F to 167°F), humidity 90% or less (non-condensing)
Power Supply	DC 9-36 V
Cable Length	50 cm
Approval	
EMC	FCC: FCC-SDoC(ANSI C63.4,FCC Part15 sub B) CE: CE-EMC(EN 55024:2010 +A1:2015,EN 55032:2015,EN 61000-3-2:2014,EN 61000-3-3:2013)
Safety	CE: CE-LVD(EN 60950-1:2006+A11:2009+A1:2010+A12:2011+A2:2013)
Environment	CE: CE-RoHS(RoHS Directive 2011/65/EU+2015/863) Reach SVHC: Regulation (EC) No 1907/2006
Automotive and Railway	EN50155: EN 50155-2007,EN 50155-2017 EN45545: (EN 45545-2:2013+A1:2015); E-MARK (ECE R10)

▪ Wiring

Cable Interfaces

Headquarters

No.555 Qianmo Road, Binjiang District,
Hangzhou 310051, China
T +86-571-8807-5998
www.hikvision.com



Follow us on social media to get the latest product and solution information.



Modle	Interface Form	Interface Definition	Interface Illustration
VC1B1I	RJ45	1.IPC_RX+ 2.IPC_RX- 3.IPC_TX+ 6.IPC_TX-	
	DC	Core:IPC_POWER Shell:IPC_GND	
	M12	1.IPC_RX+ 3.IPC_RX- 2.IPC_TX+ 4.IPC_TX-	
	MOLEX	1.IPC_POWER 2.IPC_GND	

▪ Available Model

AE-VC1B1I-ISF(RJ45)(6mm)

AE-VC1B1I-ISF(M12)(6mm)

▪ Dimension

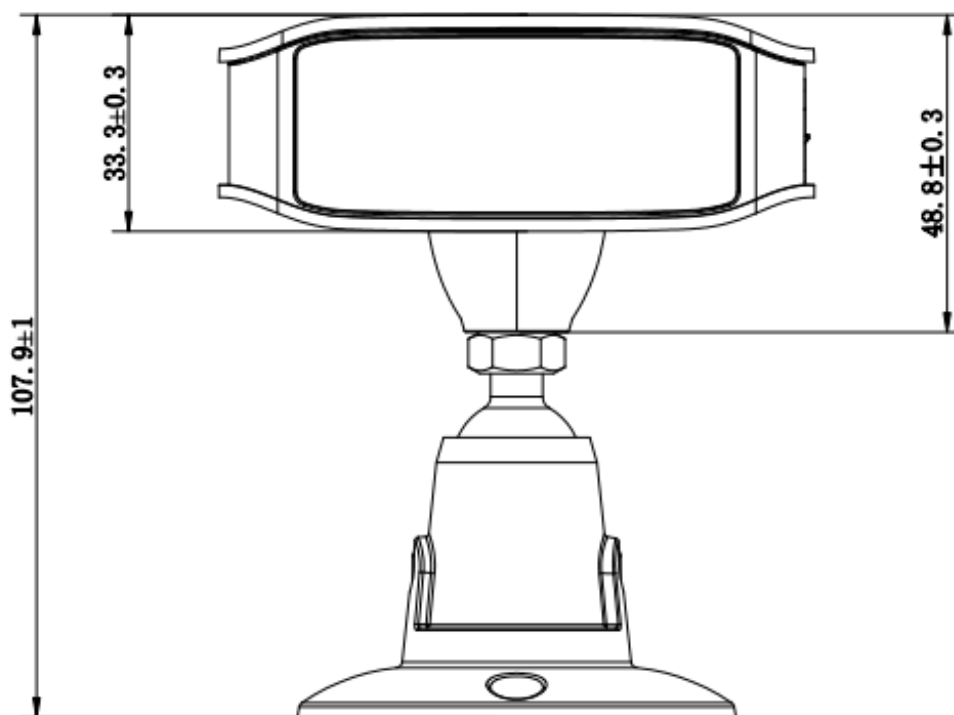
Headquarters

No.555 Qianmo Road, Binjiang District,
Hangzhou 310051, China
T +86-571-8807-5998
www.hikvision.com



Follow us on social media to get the latest product and solution information.





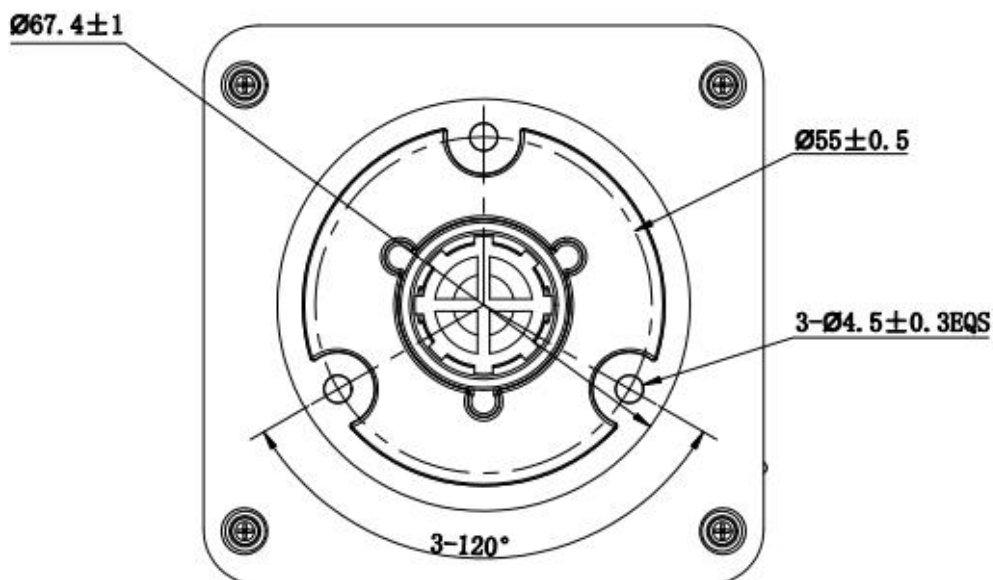
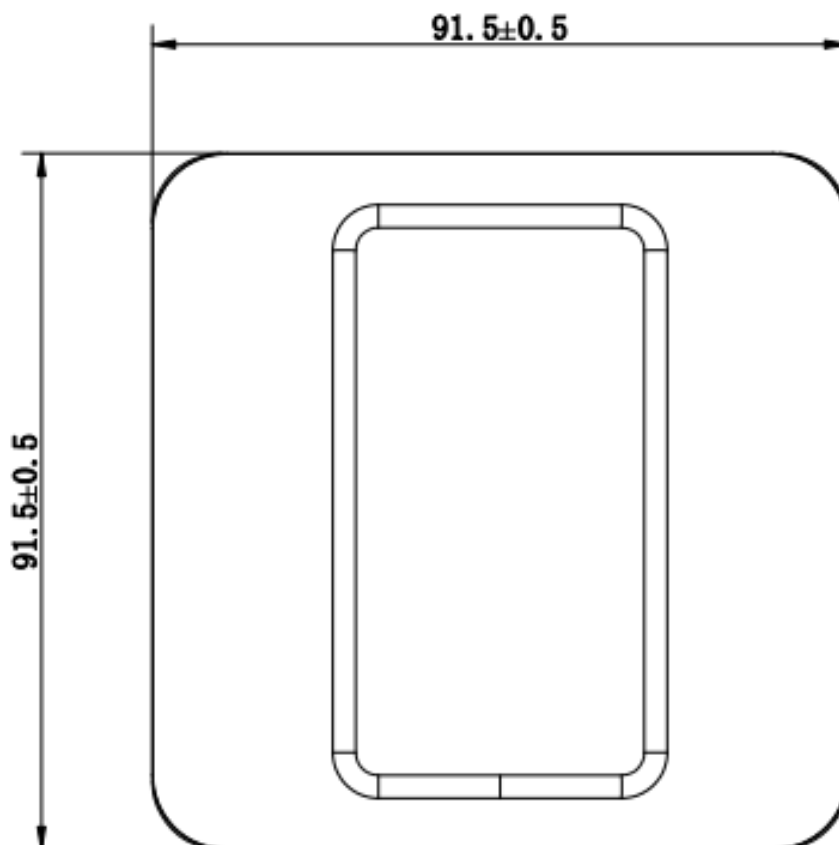
Headquarters

No.555 Qianmo Road, Binjiang District,
Hangzhou 310051, China
T +86-571-8807-5998
www.hikvision.com



Follow us on social media to get the latest product and solution information.





Headquarters

No.555 Qianmo Road, Binjiang District,
Hangzhou 310051, China
T +86-571-8807-5998
www.hikvision.com



Follow us on social media to get the latest product and solution information.

