

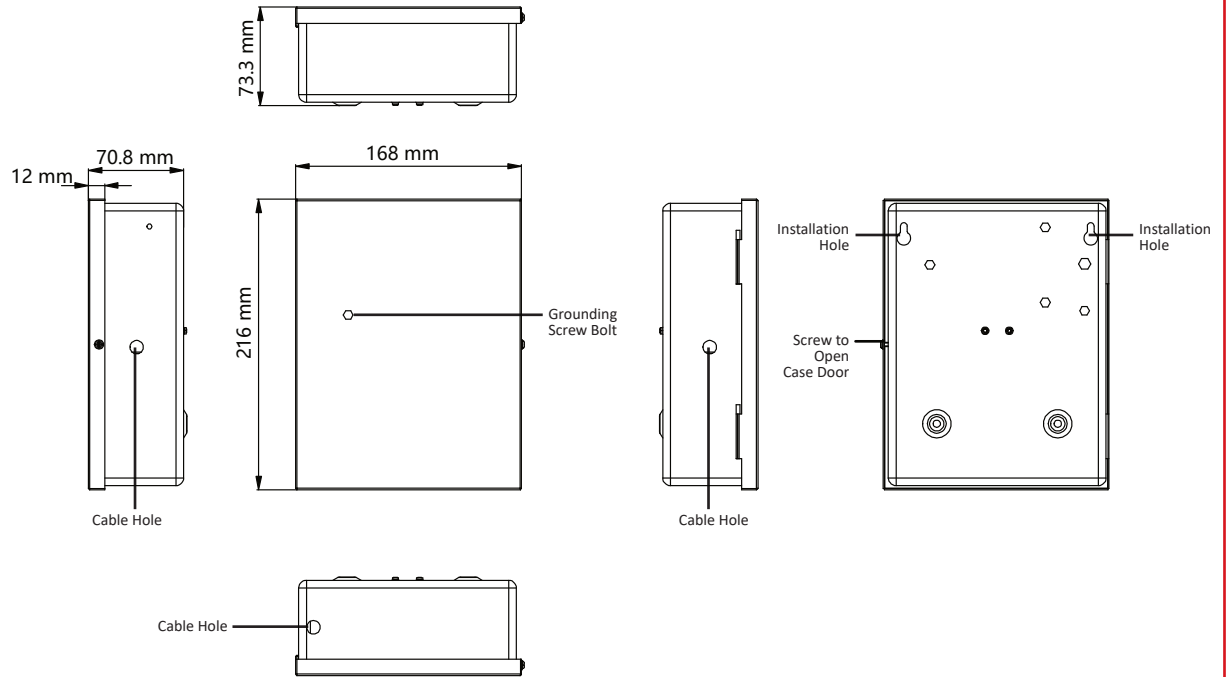
1 Appearance



DS-K7M-AW24 Power Supply

User Manual

UD35715B-A



The figures are for reference only.

About this Document

- This Document includes instructions for using and managing the Product. Pictures, charts, images and all other information hereinafter are for description and explanation only.
 - The information contained in the Document is subject to change, without notice, due to firmware updates or other reasons. Please find the latest version of the Document at the Hikvision website (<https://www.hikvision.com>). Unless otherwise agreed, Hangzhou Hikvision Digital Technology Co., Ltd. or its affiliates (hereinafter referred to as "Hikvision") makes no warranties, express or implied.
 - Please use the Document with the guidance and assistance of professionals trained in supporting the Product.
- About this Product**
- This product can only enjoy the after-sales service support in the country or region where the purchase is made.
 - If the product you choose is a video product, please scan the following QR code to obtain the "Initiatives on the Use of Video Products", and read it carefully.



Acknowledgment of Intellectual Property Rights

- Hikvision owns the copyrights and/or patents related to the technology embodied in the Products described in this Document, which may include licenses obtained from third parties.
- Any part of the Document, including text, pictures, graphics, etc., belongs to Hikvision. No part of this Document may be excerpted, copied, translated, or modified in whole or in part by any means without written permission.
- HIKVISION and other Hikvision's trademarks and logos are the properties of Hikvision in various jurisdictions.
- Other trademarks and logos mentioned are the properties of their respective owners.

LEGAL DISCLAIMER

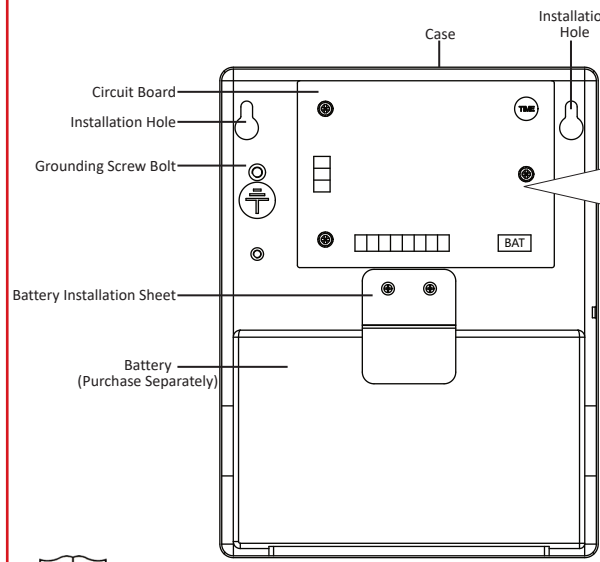
- TO THE MAXIMUM EXTENT PERMITTED BY APPLICABLE LAW, THIS DOCUMENT AND THE PRODUCT DESCRIBED, WITH ITS HARDWARE, SOFTWARE AND FIRMWARE, ARE PROVIDED "AS IS" AND "WITH ALL FAULTS AND ERRORS". HIKVISION MAKES NO WARRANTIES, EXPRESS OR IMPLIED, INCLUDING WITHOUT LIMITATION, MERCHANTABILITY, SATISFACTORY QUALITY, OR FITNESS FOR A PARTICULAR PURPOSE. THE USE OF THE PRODUCT BY YOU IS AT YOUR OWN RISK. IN NO EVENT WILL HIKVISION BE LIABLE TO YOU FOR ANY SPECIAL, CONSEQUENTIAL, INCIDENTAL, OR INDIRECT DAMAGES, INCLUDING, AMONG OTHERS, DAMAGES FOR LOSS OF BUSINESS PROFITS, BUSINESS INTERRUPTION, OR LOSS OF DATA, CORRUPTION OF SYSTEMS, OR LOSS OF DOCUMENTATION, WHETHER BASED ON BREACH OF CONTRACT, TORT (INCLUDING NEGLIGENCE), PRODUCT LIABILITY, OR OTHERWISE, IN CONNECTION WITH THE USE OF THE PRODUCT, EVEN IF HIKVISION HAS BEEN ADVISED OF THE POSSIBILITY OF SUCH DAMAGES OR LOSS.
- YOU ACKNOWLEDGE THAT THE NATURE OF THE INTERNET PROVIDES FOR INHERENT SECURITY RISKS, AND HIKVISION SHALL NOT TAKE ANY RESPONSIBILITIES FOR ABNORMAL OPERATION, PRIVACY LEAKAGE OR OTHER DAMAGES RESULTING FROM CYBER-ATTACK, HACKER ATTACK, VIRUS INFECTION, OR OTHER INTERNET SECURITY RISKS; HOWEVER, HIKVISION WILL PROVIDE TIMELY TECHNICAL SUPPORT IF REQUIRED.
- YOU AGREE TO USE THIS PRODUCT IN COMPLIANCE WITH ALL APPLICABLE LAWS, AND YOU ARE SOLELY RESPONSIBLE FOR ENSURING THAT YOUR USE CONFORMS TO THE APPLICABLE LAW. ESPECIALLY, YOU ARE RESPONSIBLE, FOR USING THIS PRODUCT IN A MANNER THAT DOES NOT INFRINGE ON THE RIGHTS OF THIRD PARTIES, INCLUDING WITHOUT LIMITATION, RIGHTS OF PUBLICITY, INTELLECTUAL PROPERTY RIGHTS, OR DATA PROTECTION AND OTHER PRIVACY RIGHTS. YOU SHALL NOT USE THIS PRODUCT FOR ANY PROHIBITED END-USES, INCLUDING THE DEVELOPMENT OR PRODUCTION OF WEAPONS OF MASS DESTRUCTION, THE DEVELOPMENT OR PRODUCTION OF CHEMICAL OR BIOLOGICAL WEAPONS, ANY ACTIVITIES IN THE CONTEXT RELATED TO ANY NUCLEAR EXPLOSIVE OR UNSAFE NUCLEAR FUEL-CYCLE, OR IN SUPPORT OF HUMAN RIGHTS ABUSES.
- IN THE EVENT OF ANY CONFLICTS BETWEEN THIS DOCUMENT AND THE APPLICABLE LAW, THE LATTER PREVAILS.

Data Protection

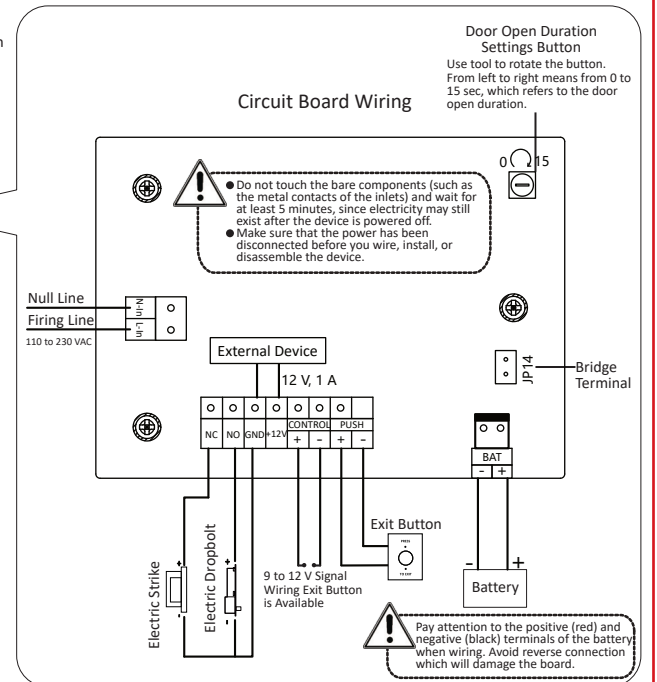
- To protect data, the development of Hikvision Products incorporates privacy by design principles. For example, for Products with facial recognition features, biometrics data is stored in your Products with encryption method; for fingerprint Products, only fingerprint template will be saved, which is impossible to reconstruct a fingerprint image.
- As a data controller/processor, you may process personal data, including collection, storage, use, processing, disclosure, deletion, etc. You are advised to pay attention to and comply with applicable laws and regulations related to the protection of personal data, including without limitation, conducting security controls to safeguard personal data, such as, implementing reasonable administrative and physical security controls, conduct periodic reviews and the assessments of the effectiveness of your security controls.

© Hangzhou Hikvision Digital Technology Co., Ltd. All rights reserved.

2 Internal Appearance and Wiring

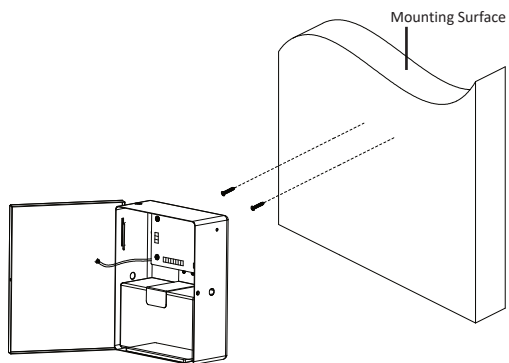


- If the electric supply is not wired and the battery is disconnected (changing battery for instance), you should bridge over the bridge terminal for 2 s to make the battery working properly.
- It is recommended that you should use the 12 VDC/7 AH battery.
- For security reasons, you should install the rubber rings (accessory) in the cable holes to protect the cables from being scarified by the burrs on the cable holes.

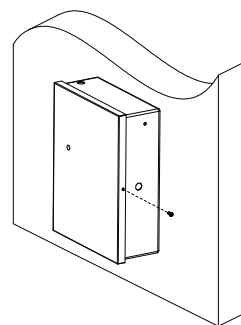


3 Installation

Case Installation



1. Unscrew the case door screw and open the case door.
2. Secure the case on the mounting surface.
 - a. Drill holes on the mounting surface according to the mounting holes at the bottom of the case.
 - b. Insert 2 expansion sleeves into the drilled holes and install the screws (SC-TWM3×6PM-BNI).
 - c. Align the case body and the drilled holes. Hang the case on the screws.
 - d. Complete the wiring inside the case.

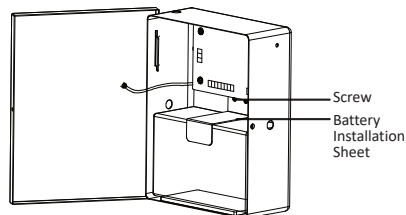


2. Close the case door and tighten the screw on the case door.



- To prevent injury, this equipment must be securely attached to the mounting area in accordance with the installation instructions.
- This equipment is suitable for mounting on concrete or other non-combustible surface only.

Battery Installation



1. Install the battery to the case.
2. After wiring, use the installation sheet to hold the battery and secure it with 2 screws.

English

If the device uses a 3-prong power supply plug, it must be connected to an earthed mains socket-outlet properly.

Русский

Если в устройстве используется трехконтактный сетевой штепсель, его необходимо надлежащим образом подсоединить к заземленной розетке электросети.

Magyar

Ha a készülék 3 ágú hálózati csatlakozót használ, akkor azt megfelelően földelt hálózati aljzathoz kell csatlakoztatni.

Deutsch

Wird das Gerät mit einem 3-poligen Netzstecker betrieben, muss es ordnungsgemäß an eine geerdete Netzsteckdose angeschlossen werden.

Italiano

Se il dispositivo utilizza una spina di alimentazione a 3 poli, collegarlo correttamente a una presa di corrente dotata di messa a terra.

Čeština

Pokud přístroj používá tříkolíkovou napájecí zástrčku, musí být řádně připojen k uzemněné síťové zásuvce.

Slovenčina

Ak zariadenie používa 3-koilkovú zástrčku do zdroja napájania, musí byť správne pripojená k uzemnenej sieťovej zásuvke.

Français

Si l'appareil utilise une fiche d'alimentation à 3 broches, il doit être connecté correctement à une prise électrique secteur mise à la terre.

Polski

Jeżeli urządzenie jest wyposażone w przewód zasilający z wtyczką z trzema stykami, należy ją podłączyć do uziemionego gniazda sieci elektrycznej.

Nederlands

Als het apparaat een 3-polige stekker gebruikt, dan moet het op de juiste wijze op een geaard stopcontact worden aangesloten.

Português

Se o dispositivo utilizar uma fonte de alimentação de 3 pinos, deverá ser ligado corretamente a uma tomada de corrente ligada à terra.

Español

Si el dispositivo utiliza un enchufe de alimentación de 3 clavijas, debe conectarse correctamente a una toma de corriente con conexión a tierra.

Română

Dacă dispozitivul utilizează o fișă de sursă de alimentare cu 3 pini, trebuie conectat corespunzător la o priză cu împământare.

Dansk

Hvis enheden benytter et strømforingsstik med 3 stikben, skal det sluttes korrekt til en stikkontakt på elnettet med jordforbindelse.

Türkçe

Cihazın 3 uçlu güç kaynağı fişi kullanması halinde, bunun topraklı şebeke priz çıkışına bağlanması gerekir.

Українська

Якщо вилка шнура живлення пристрою має 3 штири, її слід належним чином підключити до електричної розетки з заземленням.

Bahasa Indonesia

Jika perangkat menggunakan steker satu daya 3 kaki, perangkat harus tersambung ke stopkontak listrik yang dibumikan dengan benar.

မြန်မာ

ကိရိယာတို့၌ ပါဝါထိုးရန် 3 ပင်ဆောင်းသုံးပါးကို ငှက်ပျံဖွဲ့ကွဲအင်္ဂါအားသည့် ပလပ်ပေါက်တံတိုင်သို့ သေသံထိုးရမည်။

العربية

إذا كان الجهاز يستخدم قابس إمداد طاقة ثلاثي الشوكات، فيجب توصيله بأخذ تيار كهربائي مؤرض بشكل صحيح.