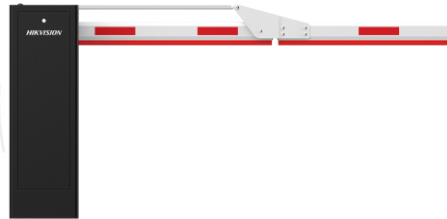


DS-TMG301-D

30 Series Folding Pole Barrier Gate



- Supports convenient side installation with compact structure.
- Adopts small DC brushless motor with low noise to increase output torque and realize precise intelligent control.
- Supports multiple anti-fall modes such as IR, vehicle detectors, and radars.
- Delayed boom pole closing. Supports 1 to 99 seconds.

▪ Specification

Barrier Housing	
Barrier Housing Material	Cold-rolled sheet
Barrier Housing Thickness	1.2 mm
Barrier Housing Door Thickness	1.0 mm
Barrier Housing Color	Black background with sliver pattern
Barrier Housing Door Color	Black background with sliver pattern
Boom Pole Installation Height	880 mm
Body Indicators	None
Barrier Gate General	
Rising/Falling Speed	2m+2m folding pole : Rising Speed: 3 to 6 s Falling Speed: 3 to 6 s
Boom Pole Direction	Left/Right
Motor Type	DC brushless motor
Matched Boom Pole Type	Folding boom pole
Boom Pole Falling Delay	1 to 99 s
Number of Cycles	2,500,000
Consumption	100 W
Temperature and Humidity	Humidity: ≤ 90
Rising Boom Pole for Poweroff	Optional
Package	
Barrier Housing Dimensions (L × W × H)	325 × 220 × 1000 mm (12.8 × 8.67 × 39.37 inch)
Body Weight	26 ± 0.2 kg (57.32 ± 0.44 lb.)
Body Dimensions (with Package, Without Boom Pole) (L × W × H)	385 × 305 × 1060 mm (15.16 × 12 × 41.73 inch)
Body Weight (with Package, Without Boom Pole)	29.1 ± 0.2 kg (64.15 ± 0.44 lb.)
Interface	
RS-485	Optional
Rising to Limit	1 group
Falling to Limit	1 group
Open	1 group
Close	1 group
Stop	1 group
IR/Vehicle Detector/Radar	1 group
Traffic Signal Light	1 group
General	
Headquarters Power Supply	110-240VAC(default 220V , Switchable)
Approval	
Protection	IP54
Boom Pole	
Boom Pole Color	White background with red bar



HikvisionHQ



HikvisionHQ



Hikvision_Global



HIKVISION
Corporate Channel



hikvisionhq

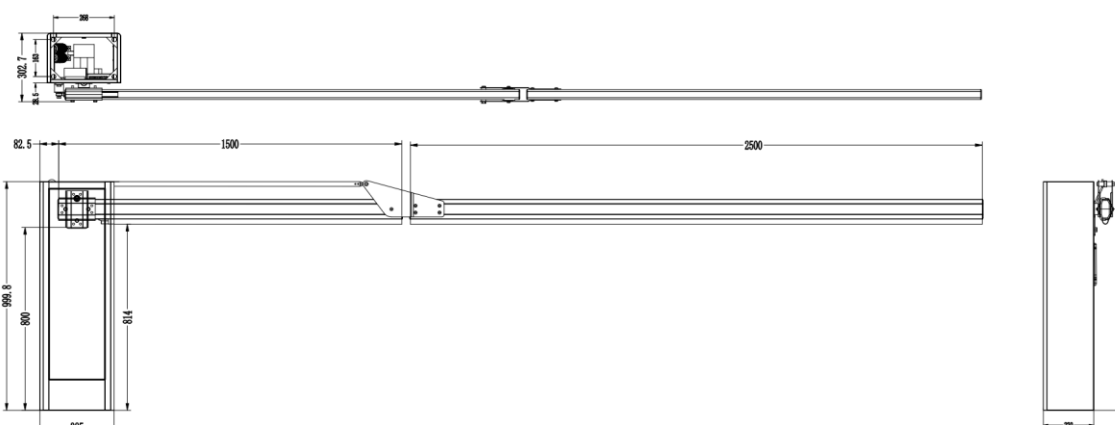
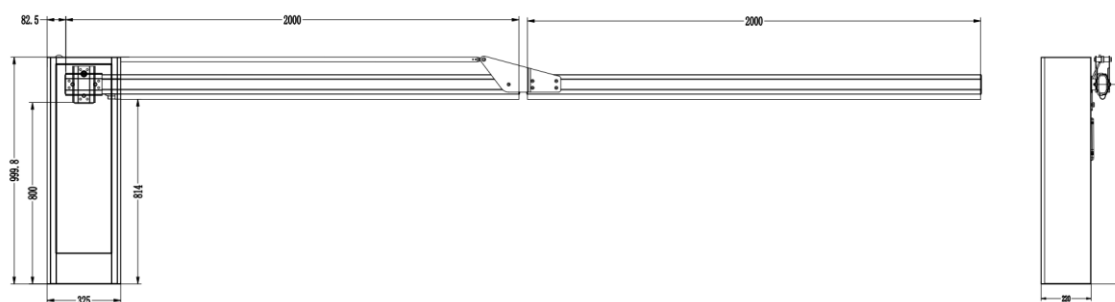
Boom Pole Weight	2 m + 2 m folding boom pole: 6.7 ± 0.2 kg 1.5 m + 2.5 m folding boom pole: 6.4 ± 0.2 kg
Boom Pole Dimensions (with Package)	2 m + 2 m folding boom pole: $2260 \times 200 \times 110$ mm (L×W×H) 1.5 m + 2.5 m folding boom pole: $2750 \times 200 \times 110$ mm (L×W×H)
Boom Pole Weight (with Package)	2 m + 2 m folding boom pole: 7.7 ± 0.2 kg 1.5 m + 2.5 m folding boom pole: 7.3 ± 0.2 kg
Boom Pole Dimensions	$4038 \times 75 \times 190$ mm (L×W×H)
Boom Pole Material	6063

Available Model

DS-TMG301-DL(2+2)

DS-TMG301-DR(2+2)

Dimension



Headquarte

No.555 Qiar

Hangzhou

T +86-571-

www.hikvision.com



Follow us on social media to get the latest product and solution information.



Hikvision



HikvisionHQ



HikvisionHQ



Hikvision_Global



Hikvision
Corporate Channel



hikvisionhq

▪ **Accessory**

▪ **Included**

DS-TMG012-4W/ TMG4BX-A Remote Controller(Only for 4B series)	TMG002-3 Folding Pole	DS-TMG090-30 control box for TMG300	TMG000-3/TMG3 0X-A(φ5.0)
			

▪ **Optional**

DS-TMG022 Coil Vehicle Detector	DS-TMG023 Coil	TMG080-3	DS-TVL221-1-6D Entrance & Exit Signal Light	TMG021-3(octagon al bag)
				

**TMG011-3(octagon
al chuck)**



Headquarters

No.555 Qianmo Road, Binjiang District,
Hangzhou 310051, China
T +86-571-8887-5998
www.hikvision.com



Follow us on social media to get the latest product and solution information.



Headquarters

No.555 Qianmo Road, Binjiang District,
Hangzhou 310051, China
T +86-571-8807-5998
www.hikvision.com



Follow us on social media to get the latest product and solution information.

