

HF-VS409

Visual Smoke Detection Camera



- Smoke detection, temperature detection, VaaS (Intruder Verification as a Service) approved
- High sensitivity, safe, reliable and handy
- 4 million HD resolution, wide angle lens
- Maximum resolution: 4 megapixels (2560 × 1440@25 fps), real-time image output
- Configurable intelligent video analysis to facilitate fire source detection and fire hazards verification
- Real-time video prompts, showing alarm information, real-time alarm prompts to mobile APP
- Upload alarm events and device status information
- External 12 VDC power supply, battery power supply in the event of power failure to ensure normal operation of the alarm
- Built-in buzzer, high decibel alarm
- 1-ch alarm input and 1-ch alarm output
- Remote silencing
- Link alarm images and videos when alarm is triggered
- Low bit rate, low latency, ROI enhanced coding, SVC adaptive coding technology, smart 265 coding
- IR lamp, long service life, irradiation distance up to 15 meters
- Automatic switch of ICR infrared filter to achieve 24/7 monitoring
- Day/Night mode settings
- microSD/SDHC/SDXC card (128 G) local storage
- 3D digital noise reduction, backlight compensation, automatic electronic shutter function, adapt to different monitoring environments



▪ Specification

Camera	
Resolution	2560 × 1440
Sensor	1/2.7" progressive scan CMOS
lowest luminance	0.015 Lux @ (F2.25, AGC ON), 0 Lux with IR
Lens	1.05 mm, F2.2 Horizontal: 170°, Vertical: 160°
Image settings	Brightness, contrast, saturation
Wide Dynamic Range	120 dB
Shutter	1/25 s to 1/100,000 s
Day & Night	ICR infrared filter
Image enhance	Backlight compensation, high light inhibition, 3D digital noise reduction
Encoding Type	Main Profile
Video compression rate	32 Kbps to 8 Mbps
Video compression standard	H.264, H.265
Smart alarm	Fire source recognition, indoor emergency exits blocking, intrusion detection, cross-border detection
Frame rate	50 Hz: 25 fps (2560 × 1440, 1920 × 1080, 1280 × 720)
Interface protocol	ONVIF(PROFILE S,PROFILE G),ISAPI
General function	Heartbeat, mirror, password protection,watermarking technology, IP address filtering
Storage	microSD/microSDHC/microSDXC card (128 GB) Local storage and transmission when disconnected from the network NAS (NFS, SMB/CIFS) SD card encryption and SD card status detection with Hikvision Card
Power consumption	≤ 6 W
IR range	15 m (49 ft.)
Detector	
High temperature alarm	Yes
Temperature threshold	54 °C to 70 °C (129°F to 158°F)
Function	
Tampering alarm	Yes
Mute	Yes
Maze dirty alarm	Yes
Low voltage alarm	Yes
Self-check	Yes
Remote muffler	Yes
Interface	
Alarm	1-ch audio input (Line in), 1-ch audio output (Line Out)
Communication Interface	1 RJ45 Self-adaptive 10 M/100 M Ethernet Interface (Support PoE)

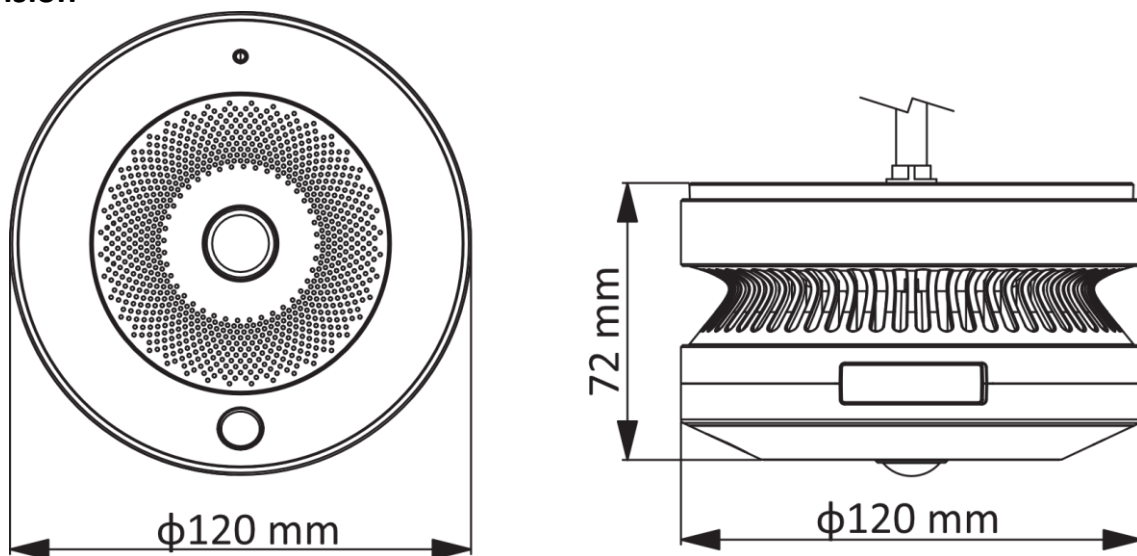
General

Standby current	Smoke detector: < 9 μ A Camera: < 350 mA
Executive standard	EN14604:2005
Working principle	Photoelectric
Alarm sound level	\geq 85 dB@3 m (A-weighting)
Power supply	Main power: 220 VAC to 12 V; PoE: 802.3af, Class 2 Alternate power: 3 VDC
Operation temperature	-10 $^{\circ}$ C to 55 $^{\circ}$ C (14 $^{\circ}$ F to 131 $^{\circ}$ F)
Operation humidity	\leq 95% no condensing
Weight	With packaging: 900 g Without packing: 475 g
Dimension (W×H×D)	With packaging: 184 mm × 184 mm × 214 mm Without packing: ϕ 120 mm × H 72 mm(Φ 4.72" × 2.87")
Alarm current	Smoke detection: < 40 mA

▪ **Available Model**

Smoke Detected Camera-HF-VS409(海外标配)(样机),

▪ **Dimension**





Distributed by

**HIKVISION®****Headquarters**

No.555 Qianmo Road, Binjiang District,
Hangzhou 310051, China
T +86-571-8807-5998
overseasbusiness@hikvision.com

Hikvision USA
T +1-909-895-0400
sales.usa@hikvision.com

Hikvision Australia
T +61-2-8599-4233
salesau@hikvision.com

Hikvision India
T +91-22-28469900
sales@pramahikvision.com

Hikvision Canada
T +1-866-200-6690
sales.canada@hikvision.com

Hikvision Thailand
T +662-275-9949
sales.thailand@hikvision.com

Hikvision Europe
T +31-23-5542770
sales.eu@hikvision.com

Hikvision Italy
T +39-0438-6902
info.it@hikvision.com

Hikvision Brazil
T +55 11 3318-0050
Latam.support@hikvision.com

Hikvision Turkey
T +90 (216)521 7070- 7074
sales.tr@hikvision.com

Hikvision Malaysia
T +601-7652-2413
sales.my@hikvision.com

Hikvision UK & Ireland
T +01628-902140
sales.uk@hikvision.com

Hikvision South Africa
Tel: +27 (10) 0351172
sale.africa@hikvision.com

Hikvision France
T +33(0)1-85-330-450
info.fr@hikvision.com

Hikvision Kazakhstan
T +7-727-9730667
nikia.panfilov@hikvision.ru

Hikvision Vietnam
T +84-974270888
sales.vt@hikvision.com

Hikvision UAE
T +971-4-4432090
salesme@hikvision.com

Hikvision Singapore
T +65-6684-4718
sg@hikvision.com

Hikvision Spain
T +34-91-737-16-55
info.es@hikvision.com

Hikvision Tashkent
T +99-87-1238-9438
uzb@hikvision.ru

Hikvision Hong Kong
T +852-2151-1761
info.hk@hikvision.com

Hikvision Russia
T +7-495-669-67-99
saleru@hikvision.com

Hikvision Korea
T +82-(0)31-731-8817
sales.korea@hikvision.com

Hikvision Poland
T +48-22-460-01-50
info.pl@hikvision.com

Hikvision Indonesia
T +62-21-2933759
Sales.Indonesia@hikvision.com

Hikvision Colombia
sales.colombia@hikvision.com

