

Husky Air (CS-CV310-A0-3B1WFR)

1 Megapixel 1/4" CMOS Wall-mounted 720p IPC



Introduction

EZVIZ products have been designed for your entertainment, communication, security. When you install the EZVIZ APP on your smartphone or tablet, EZVIZ devices will be connected to the cloud via their QR code and will immediately be online. With EZVIZ you can talk to your loved ones, watch your child's progress when you are away, keep an eye on your home, interact with your four-legged friends, prevent household accidents.

Main Features



Active Defense



IR distance up to 30 meters



Wi-Fi signal more strong and stable with two antennas



High-decibel speakers



Audio pickup distance up to 5meters



FHD 720P

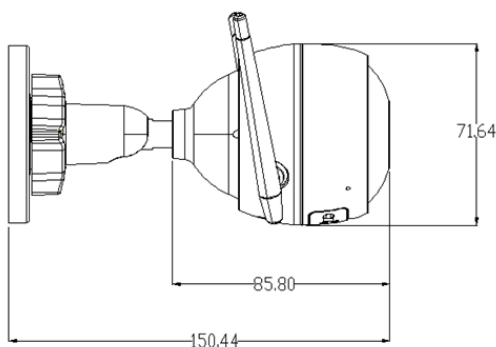


Support Micro SD card slot, up to 128GB



Dustproof and Waterproof IP66

Dimension



Specifications

Model	CS-CV310-A0-3B1WFR
Camera	
Image sensor	1/4" Progressive Scan CMOS
Minimum illumination	0.02 lux @(F2.0,AGC ON) ,0 Lux with IR
Shutter Speed	Self-adaptive shutter
Lens	2.8mm@ F2.2, Horizontal angle: 92° Diagonal angle: 108° 4mm@ F2.0, Horizontal angle: 72° Diagonal angle: 86° 6mm@ F2.0, Horizontal angle: 36° Diagonal angle: 42°
Lens Mount	M12
Day & Night	IR cut filter
DNR	3D DNR
WDR	Digital WDR
Compression	
Video Compression	H.264
H.264 Type	Main Profile
Video Bit Rate	HD; balance; and fluency. Adaptive bit rate.
Image	
Max. Resolution	1280 × 720, support dual-stream
Frame Rate	50Hz @ 25fps; adaptive frame rate of network transmission
Image setting	Brightness, contrast, saturation, etc. (Configure via EZVIZ Studio)
BLC	Support
Network	
Smart Alarm	Intelligent motion detection
One-key configuration	Smart Config (Wi-Fi One Push Configuration)
Protocol	EZVIZ Cloud Proprietary Protocol
Interface Protocol	EZVIZ Cloud Proprietary Protocol
General Function	Flicker filter, dual-stream, heart beat, mirror image, password protection, watermark
Interface	
Storage	Support Micro SD card (Max. 128GB)
Wired network	A RJ45 Ethernet Port, adaptive rate of 10/100M
Wi-Fi	
Standard	IEEE802.11 b/g/n
Frequency Range	2.4GHz ~ 2.4835 GHz
Channel Bandwidth	Support 20MHz
Security	64/128-bit WEP, WPA/WPA2, WPA-PSK/WPA2-PSK, WPS
Transmission Rate	11b: 11Mbps,11g: 54Mbps,11n: 150Mbps
General	
Operating Conditions	(-30°C ~ 60°C), humidity 95% or less (non-condensing)
Power Supply	DC 12V±10%
Power Consumption	Max. 6W
IP Grade	IP66
IR Range	Max. 30 meters
Dimensions (mm)	150 x 85 x 72
Weight (g)	326g