

## DS-2CD6D52G0-IHS

### Dual-Directional PanoVu Camera



- 1/2.7" Progressive Scan CMOS
- Dual Lens
- Flexible Lens: P: -90° to 90°; T: 0° to 60° (2.8 mm), 0° to 70° (4 mm/6 mm); R: 0° to 355°
- H.265+, H.265, H.264+, H.264
- 2560 × 1920 @ 30 fps
- 120 dB WDR
- Built-in MicroSD/SDHC/SDXC Card Slot, up to 256 GB
- IP67, IK10

The Hikvision PanoVu DS-2CD6D52G0-IHS Dual-Directional PanoVu Camera features a dual-lens design to capture two separate wide angle views.

Other features include H.265+ video compression, audio I/O, an internal microSD memory card slot (up to 256 GB), and an IR range of up to 33 feet (10 meters).

#### Available Models:

DS-2CD6D52G0-IHS: 2.8 mm, 4 mm, or 6 mm lens

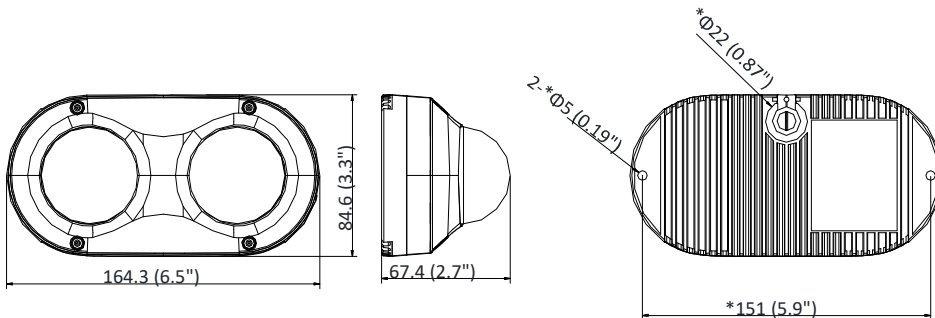


# Specifications

Camera	
Image Sensor	1/2.7" progressive scan CMOS
Minimum Illumination	Color: 0.009 lux @ (f/1.6, AGC on), B/W: 0.0018 lux @ (f/1.6, AGC on), 0 lux with IR
Shutter Speed	1s to 1/100,000 s
Slow Shutter	Yes
Wide Dynamic Range	120 dB
Day/Night	ICR (Infrared Cut Removal) filter
Linkage Method	Upload to FTP/NAS/memory card, notify surveillance center, send email
Angle Adjustment	P: -90 to 90°; T: 0 to 60° (2.8 mm), 0 to 70° (4 mm/6 mm); R: 0 to 355°
Lens	
Lens Type and FOV	2.8 mm @ f/1.6 horizontal FOV 97°, vertical FOV 70°, diagonal FOV 128° 4 mm @ f/1.6, horizontal FOV 79°, vertical FOV 57°, diagonal FOV 104° 6 mm @ f/1.6, horizontal FOV 49°, vertical FOV 35°, diagonal FOV 63°
Aperture	f/1.6
Lens Mount	M12
Illuminator	
IR Range	Up to 33 ft (10 m)
Wavelength	850 nm
Smart Supplement Light	Yes
Video	
Maximum Resolution	2560 × 1920
Main Stream	30 fps (2560 × 1920, 2048 × 1536)
Sub Stream	30 fps (640 × 480, 704 × 480)
Third Stream	30 fps (1920 × 1080, 1280 × 720, 640 × 480, 704 × 480)
Video Compression	H.265+/H.265/H.264+/H.264/MJPEG
Video Bit Rate	32 Kbps to 16 Mbps
H.264 Type	Baseline Profile/Main Profile/High Profile
H.265 Type	Main Profile
H.264+	Main stream supports
H.265+	Main stream supports
Bit Rate Control	CBR/VBR
Stream Type	Main stream/sub-stream/third stream
Scalable Video Coding (SVC)	H.265 and H.264 supported
Region of Interest (ROI)	4 fixed regions for each stream
Audio	
Environment Noise Filtering	Yes
Audio Sampling Rate	8 kHz/16 kHz/32 kHz/44.1 kHz/48 kHz
Audio Compression	G.711/G.722.1/G.726/MP2L2/PCM
Audio Bit Rate	64 Kbps (G.711 ulaw), 64 Kbps (G.711 alaw), 16 Kbps (G.722.1), 16 Kbps (G.726), 32–160 Kbps (MP2L2), 250 Kbps (PCM)
Audio Type	Stereo
Network	
Simultaneous Live View	Up to 20 channels
API	ONVIF (PROFILE S, PROFILE G, PROFILE T), ISAPI, SDK
Protocols	TCP/IP, ICMP, HTTP, HTTPS, FTP, SFTP, DHCP, DNS, DDNS, RTP, RTSP, RTCP, PPPoE, NTP, UPnP, SMTP, SNMP, IGMP, 802.1x, QoS, IPv6, UDP, Bonjour, SSL/TLS
Smooth Streaming	Yes
User/Host	Up to 32 users 3 levels: Administrator, Operator and User
Security	Password protection, complicated password, HTTPS encryption, 802.1X authentication (EAP-TLS, EAP-LEAP, EAP-MD5), watermark, IP address filter, basic and digest authentication for HTTP/HTTPS, WSSE and digest authentication for ONVIF, RTP/RTSP over HTTPS, control timeout settings, TLS 1.2
Network Storage	NAS (NFS, SMB/CIFS)
Client	iVMS-4200, Hik-Connect
Web Browser	Plug-in required live view: IE8+ Plug-in free live view: Chrome 57.0+, Firefox 52.0+, Safari 11+ Local service: Chrome 41.0+, Firefox 30.0+
Image	
Day/Night Switch	Day, Night, Auto, Schedule, Triggered by Alarm In
Picture Overlay	Logo picture can be overlaid on video in 128 × 128 24-bit bmp format
Image Enhancement	BLC, HLC, Defog, EIS, 3D DNR
Image Parameters Switch	Yes
Image Settings	Saturation, brightness, contrast, sharpness, white balance adjustable by client software or Web browser
Interface	
Alarm	1 input, 1 output (maximum 36 VDC, 30 mA)
Audio	2 built-in mics, 1 line in, 1 line out
RS-485	1 RS-485 interface, half duplex
On-Board Storage	Built-in microSD/SDHC/SDXC slot, up to 256 GB
Reset	Reset via reset button on camera body, Web browser, and client software
Communication Interface	1 RJ-45 10M/100M self-adaptive Ethernet port
Heater	Yes

<b>Smart Features</b>	
Smart Event	No
<b>Intelligent (Traditional Algorithm)</b>	
Basic Event	Motion detection, video tampering alarm, exception (network disconnected, IP address conflict, illegal login, HDD full, HDD error)
<b>General</b>	
Online Upgrade	Yes
Firmware Version	v5.5.94
Web Client Language	32 languages: English, Russian, Estonian, Bulgarian, Hungarian, Greek, German, Italian, Czech, Slovak, French, Polish, Dutch, Portuguese, Spanish, Romanian, Danish, Swedish, Norwegian, Finnish, Croatian, Slovenian, Serbian, Turkish, Korean, Traditional Chinese, Thai, Vietnamese, Japanese, Latvian, Lithuanian, Portuguese (Brazil)
General Function	Anti-flicker, heartbeat, mirror, privacy masks
Storage and Operating Conditions	-40° to 140° F (-40° to 60° C), humidity 95% or less (non-condensing)
Power Supply	12 VDC, POE (802.3af)
Power Consumption and Current	12 VDC, 0.9A, maximum 11 W PoE: (802.3af, 36 V to 57 V), 0.3 A to 0.2 A, maximum 11 W
Power Interface	Ø5.5 mm coaxial power plug
Material	Metal
Camera Dimension	(6.5" × 3.3" × 2.7" (164.3 mm × 84.6 mm × 67.4 mm)
Package Dimension	8.9" × 6.8" × 4.9" (227 mm × 172 mm × 125 mm)
Camera Weight	1.7 lb (770 g)
With Package Weight	2.3 lb (1053g)
<b>Approval</b>	
Class	Class B
Protection	IP67, IK10
EMC	FCC (47 CFR Part 15, Subpart B); CE-EMC (EN 55032: 2015, EN 61000-3-2: 2014, EN 61000-3-3: 2013, EN 50130-4: 2011 +A1: 2014); RCM (AS/NZS CISPR 32: 2015); IC (ICES-003: Issue 6, 2016); KC (KN 32: 2015, KN 35: 2015)
Safety	UL (UL 60950-1); CB (IEC 60950-1:2005 + Am 1:2009 + Am 2:2013); CE-LVD (EN 60950-1:2005 + Am 1:2009 + Am 2:2013); BIS (IS 13252(Part 1):2010+A1:2013+A2:2015)
Environment	CE-RoHS (2011/65/EU); WEEE (2012/19/EU); Reach (Regulation (EC) No 1907/2006)

## Dimensions



Unit: mm (inch)