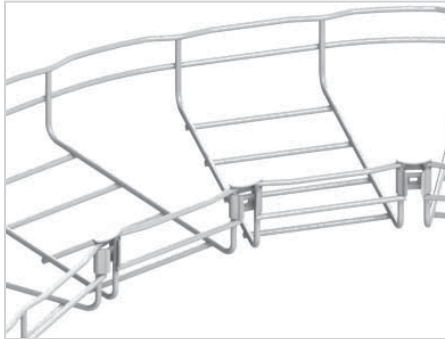
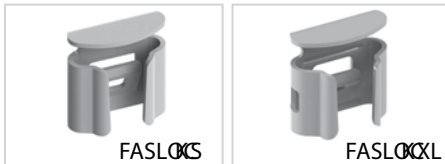
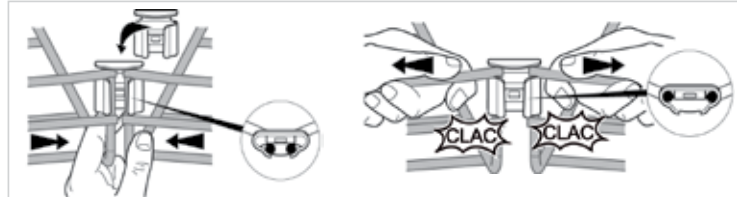


FASLOCK  
SPLICE

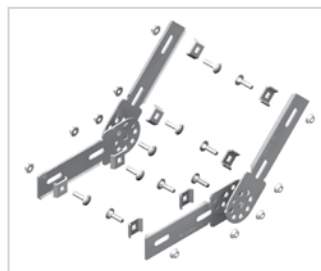


- Simple splicing method for bends and sweeps requires no tools.
- Use FASLOCK S for tray widths from 100 to 200mm and FASLOCK XL for tray widths from 300 to 600mm.
- Unique design protects installers from cut edges.



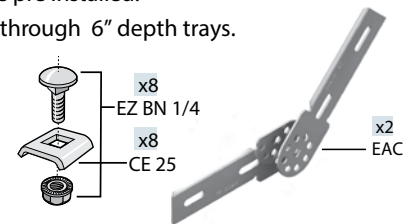
	PKG. QTY	WEIGHT		EZ	DC	316L	BL	PE
		LBS	KG					
FASLOCK	25	1.4	0.63	558 340	558 347	558 344	942 869	942 870
FASLOCK XL	25	1.4	0.63	558 320	558 327	558 324	942 821	942 822

EAC KIT  
ELEVATION CHANGE HINGE

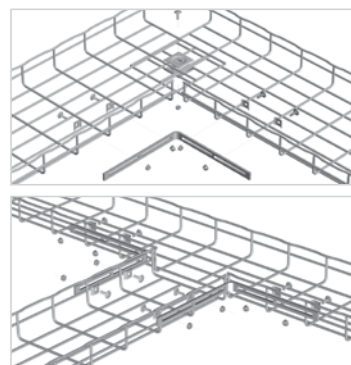
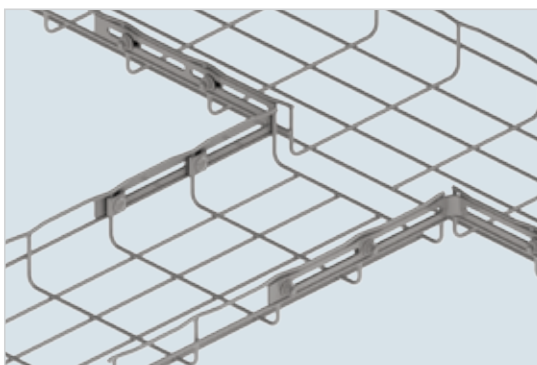


- Reinforces changes in elevation.
- Strengthens installations that support heavy power cables.
- Package contains hardware required for elevation change as shown in photo.
- Pivot hardware pre installed.
- Works with 2" through 6" depth trays.

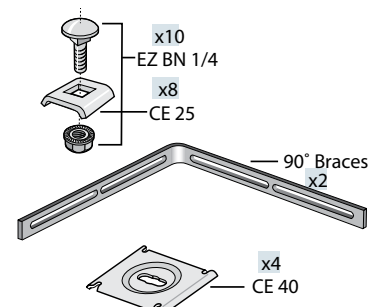
	PKG. QTY	WEIGHT		DC
		LBS	KG	
EAC KIT	1	0.36	0.16	943 131



EZT 90 KIT  
90° AND TEE BEND KIT



- One kit contains hardware for one tee or two 90° bends.
- Slotted Design fits any size tray and eliminates precise tray alignment.
- UL Classified Splice.



	PKG. QTY	WEIGHT		EZ	GC	316L	BL	PE
		LBS	KG					
EZT 90 KIT	1	1.5	0.7	941 052	942 686	941 056	942 307	942 379