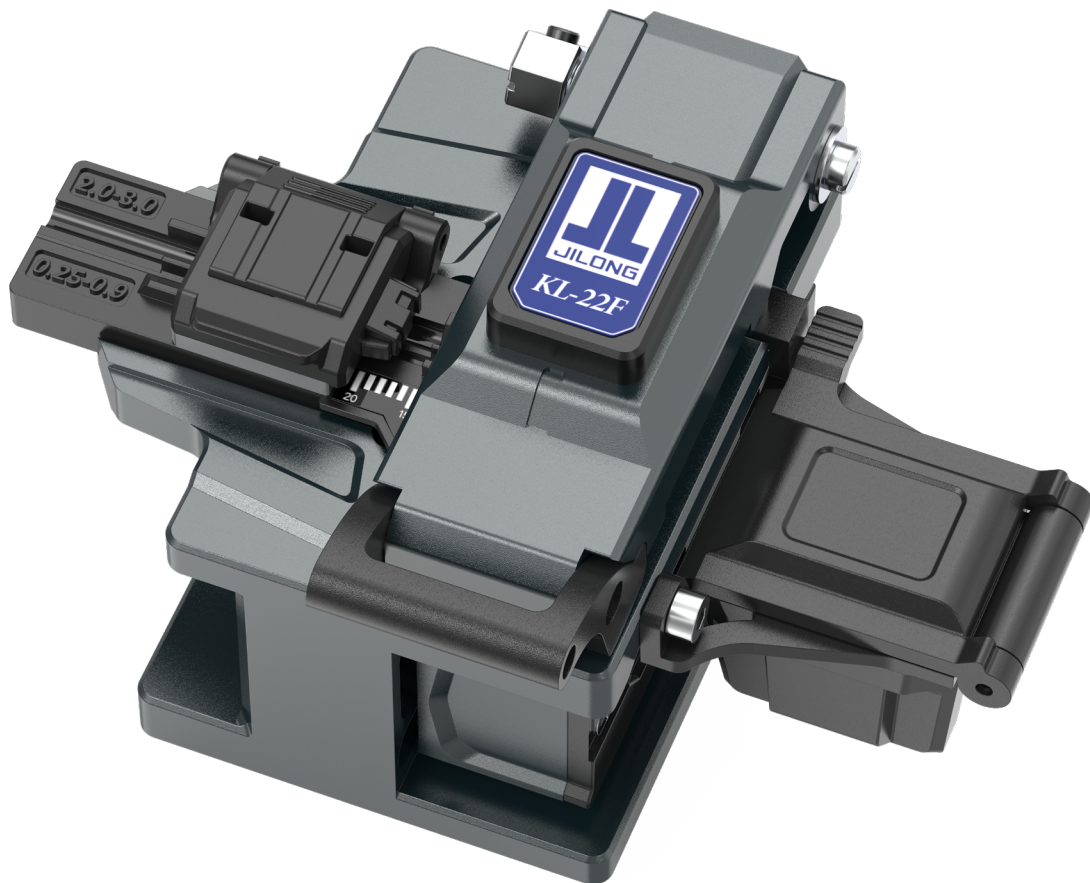


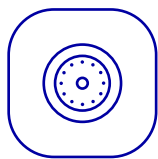
JILONG
Since 1993

KL-22F

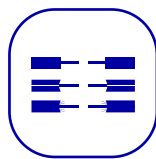
Hand Held High Precision Fiber Cleaver



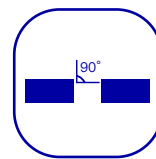
Hand held
design



48000
Blade life



Double
Fiber Holders



$\leq 0.5^\circ$
Cleaved angle



Fiber
Offcut Bin



Characteristics Description

- Hand held design, Small, compact size and light weight
- Typical Cleave Angel 0.5°
- Applicable to $250\mu\text{m}$, $900\mu\text{m}$, 3.0mm fiber cable and flat cable

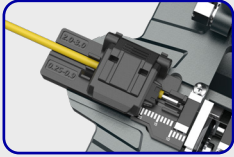
- Double Fiber Holders
- Blade life 48,000 cleaves
- Large capacity waste fiber bin, reduce pollution and scratches



Main Features



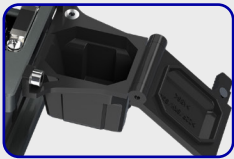
Silicone pressure pad can effectively hold down the fiber.



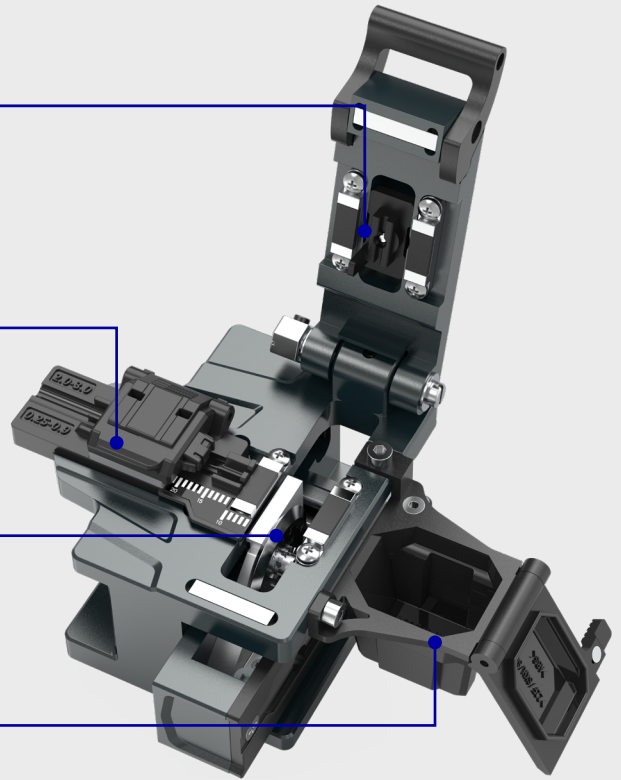
Applicable to 250 μ m, 900 μ m, 3.0mm fiber cable and flat cable



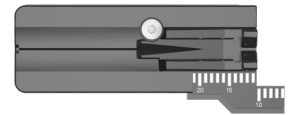
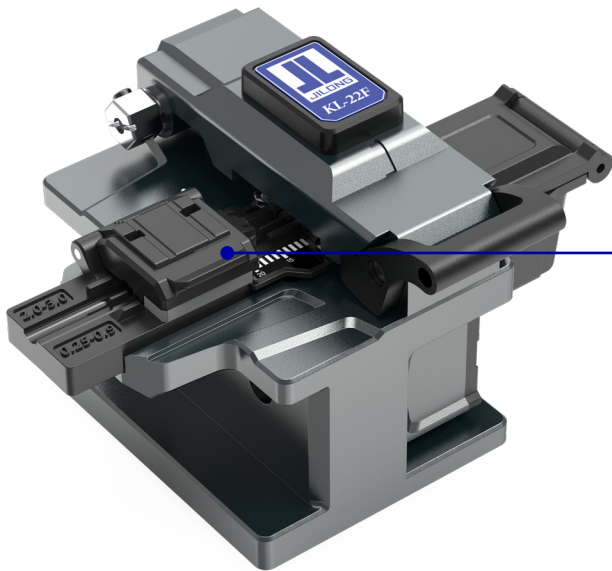
Tungsten steel refined blade
Wear resistance, high hardness, corrosion resistance.



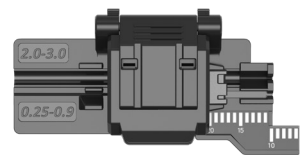
Large capacity waste fiber bin



Double Fiber Holders

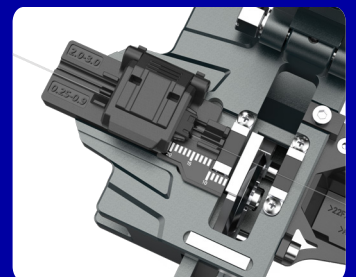
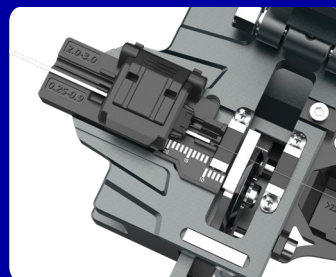
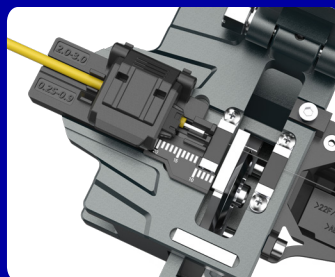
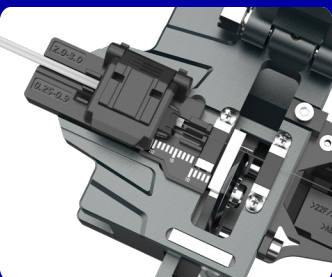


Beginner use, easy and efficient



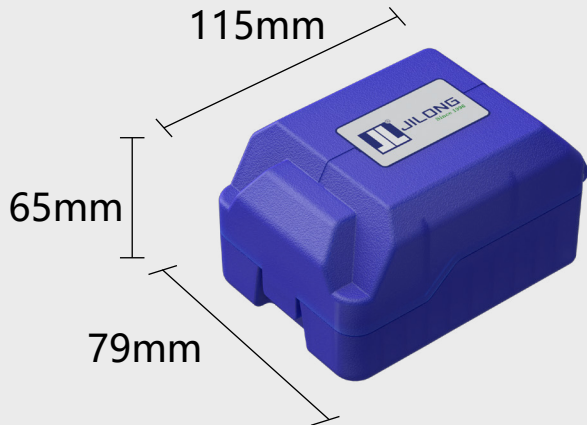
Veteran use, fast and convenient

Applicable to 250 μ m, 900 μ m, 3.0mm fiber cable and flat cable



Special carrying case

The card slot in the box is designed to effectively protect the cleaver body from damage.



Product Specifications

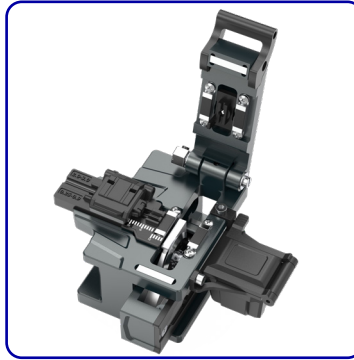
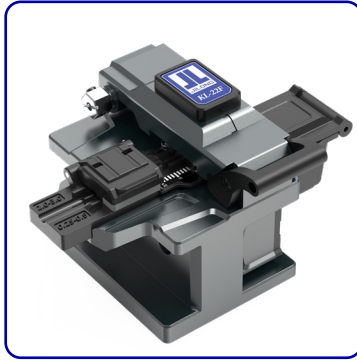
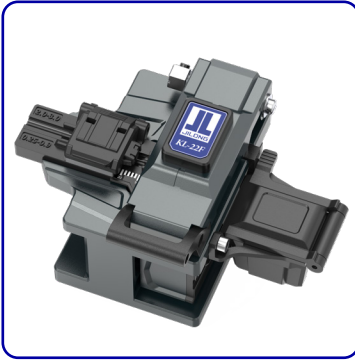
Fiber Material	Silica glass
Cladding Diameter	125 μ m
Cleaved Length	Single fiber: 8~20mm / Ribbon fiber: 10mm
Applicable Fiber Cable	Single fiber: 250 μ m, 900 μ m, 3.0mm; Fiber cable and flat cable Ribbon fiber: 2 to 12 ribbon fiber cable
Typical Cleaved Angle	Less than 0.5° ★①
Typical Blade Life	Total 48,000 fiber cleaves (replaceable) ★②
Off-cut Collector	Pre-fitted
Type of Offcut Bin	Manual
Auto Return	Pre-fitted
Fiber Holder	Double Fiber Holders
Dimension	55W *55D*50H(mm)
Weight	235g

★① Cleaved angel may vary depending on the operating environment.

★② Blade life is not guaranteed. It may vary depending on the operating environment.



Product Display



Contact us

Nanjing Jilong Optical Communication Co., Ltd

Address: 12F, Changfeng Technology Building 2, NO.14
Xinghuo Rd, Pukou District Nanjing, Jiangsu, 210032, China

Tel: +86 25 58880885

Mail: info@jilongot.com

Web: www.JILONGOT.com



Focus on official
website for more