

The following features are available in this PDF document.



Quick Keyword Search

Enter the keyword in the search box and hit the search button



Quick Jump between Chapters

Click the title of a specific chapter on the Contents to jump to it

*Reading software such as Adobe Reader is needed to support the functions above.



WEEBILL 3

User Guide

Contents

■ Product List	
Product List	1
■ Get to Know WEEBILL 3	
Get to Know WEEBILL 3	4
■ Battery and Charging	
Battery and Charging	5
■ Mounting and Balancing	
Mounting the Tripod	6
Mounting the Camera	6
Installing TransMount Wrist Rest and TransMount Extendable Sling Grip (hereinafter referred to as “Sling Grip” and “Wrist Rest”)	10
Balancing	12
■ How to Use	
Button Description	16
Display Screen Description	17
Icon Description	18
Menu Description	19
Motor Torque Adjustment	21
Gimbal Mode Description	23
Manual Reposition	27
Changing Fill Light Filters	27
How to Use the Built-in Microphone	28
Use with TransMount Video Transmission Transmitter (AI) (hereinafter referred to as “transmitter AI”)	28

■ How to Use the App	
Download the App	31
How to Connect	31
ZY Play Feature Description	32
■ Firmware Upgrade & Calibration	
Circumstances When Calibration Is Needed	33
Six-side Calibration	33
Motor Fine-Tuning	36
Firmware Upgrade	36
■ Product Specifications	
■ Disclaimer and Warning	
Reading Tips	40
Warnings	40
Safe Operation Guidelines	41
■ Warranty Terms	
Warranty Period	43
Warranty Exclusions	43
Warranty Claim Procedure	43
■ Contact Card	

Product List

Before using this product, please check carefully that all the following items are included in the product package. In case that any item is found missing, please contact ZHIYUN or your local selling agent.



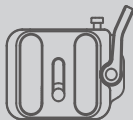
Gimbal x1



Lower-layer Quick Release Plate x1



Tripod x1



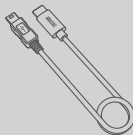
Upper-layer Quick Release Plate x1

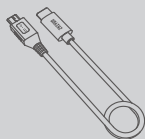


Fill Light Filter x4

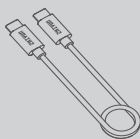
Lens Support x1
Lens Support Lock Screw x1

Quick Start Guide x1

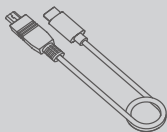
Type-C to Mini USB LN-NBUC-A01
Camera Control Cable x 1



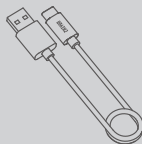
Type-C to Micro USB LN-MBUC-A02
Camera Control Cable x 1



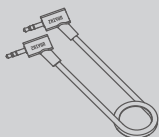
Type-C to Type-C USB LN-UCUC-A02
Camera Control Cable x 1



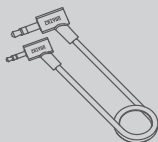
Type-C to Multi USB LN-UCUS-A03
Camera Control Cable x 1



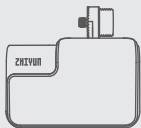
USB Type-C Cable x 1



CTIA2.5 to CTIA2.5 LN-TRS25TRS25-B02
Audio Cable x 1



CTIA2.5 to CTIA3.5 LN-TRS25TRS35-B02
Audio Cable x 1



TransMount Wrist Rest** x1



TransMount Extendable Sling Grip** x1



Storage Case* x1

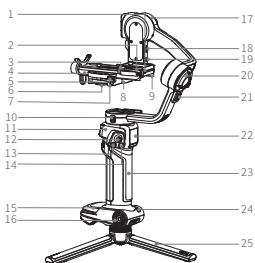


Backpack** x1

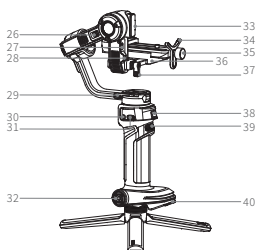
Item marked “*” is included in WEEBILL 3 standard package.

Items marked “**” are included in WEEBILL 3 COMBO.

Get to Know WEEBILL 3



1. Upper-layer Quick Release Plate Lock Switch
2. Upper-layer Quick Release Plate Latch
3. Upper-layer Quick Release Plate
4. Lower-layer Quick Release Plate
5. Quick Release Plate Latch
6. Camera Installation Latch
7. Quick Release Plate Safety Lock
8. Level Mount
9. Quick Release Plate Leveling Base Latch
10. Pan Axis Lock Switch
11. Pan Axis Motor
12. Joystick
13. Photo/Video Button
14. Mode Switch
15. Gimbal Base
16. Sling Grip/Phone Clamp Installation Screw Hole

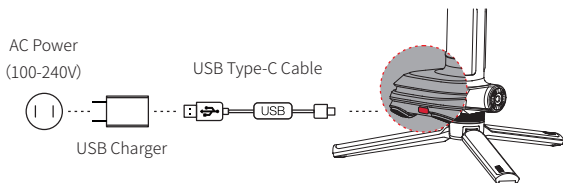


17. Tilt Axis Motor
18. Camera/Image Transmission Control Port
19. Audio Transmission Port
20. Roll Axis Motor
21. Roll Axis Lock Switch
22. Display Screen
23. Gimbal Handle
24. Power Button
25. Tripod
26. Tilt Axis Lock Switch
27. Focus Motor Control Port
28. Built-in Microphone
29. Pan Axis Latch
30. Menu/Return Button
31. Fill Light Control Wheel
32. Wrist Rest Screw Hole
33. Fill Light
34. Lens Support
35. Lens Support Lock Screw
36. Quick Release Plate Leveling Base
37. Level Mount Lock Screw
38. Trigger Button
39. Control Wheel
40. Firmware Upgrade/Charging Port

Battery and Charging

WEEBILL 3 adopts built-in battery. When using WEEBILL 3 for the first time, please activate the gimbal by fully charging the battery to ensure the proper function of the gimbal.

Charging method: Use provided USB Type-C cable to connect the USB charger (not included in the package) to charge WEEBILL 3. It is recommended to use USB chargers that meet the PD protocol. (support 21.6W at most).

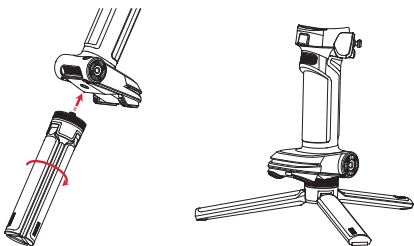


💡 Please power off WEEBILL 3 to charge.

⚠️ The gimbal is equipped with high-energy-density battery, which may cause fire, economic loss, or personal injury when not properly used and stored. Please read the disclaimer and warning herein as well as the description on the battery label carefully before using the battery.

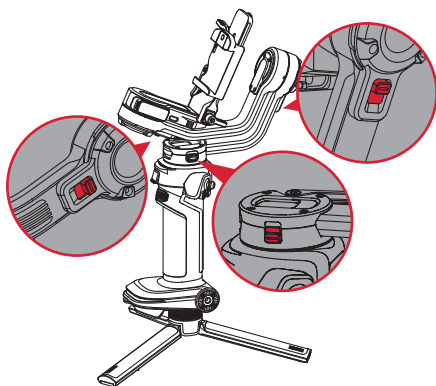
Mounting the Tripod

Mount the tripod to the bottom of the WEEBILL 3 handle, then unfold the tripod and place the WEEBILL 3 on a flat surface.

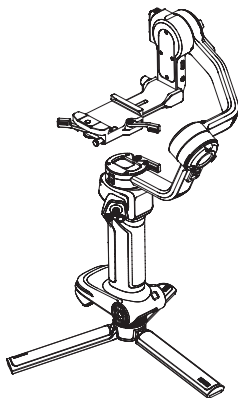


Mounting the Camera

- ① Please mount the camera before powering on WEEBILL 3 and balance the gimbal. Do not power on WEEBILL 3 when there's no camera mounted on it.
- ② Before mounting the camera, make sure it is prepared ahead of time. Remove the lens cap and make sure the camera's battery and memory card are already in place.
- ③ Each axis of the gimbal is equipped with a lock switch. You can use these lock switches to lock the axes for convenient installation and storage. The storage state is the default state. Please toggle the lock switch to unlock the three axes, expand the gimbal as shown in the image, and lock the axes again for convenient camera installation.

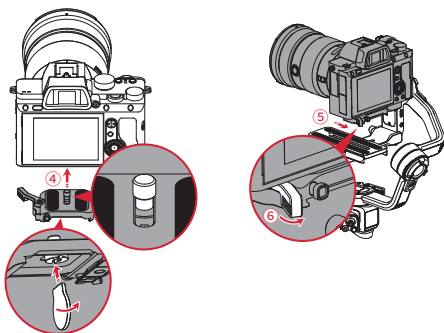
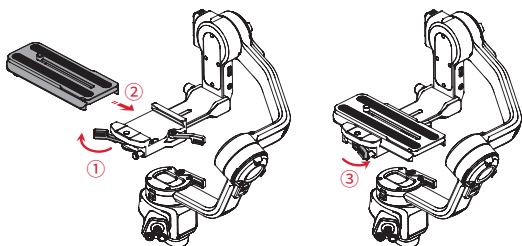


Locked state for storage

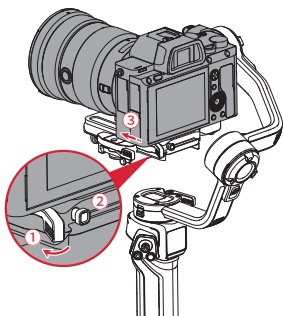


Locked state for installation

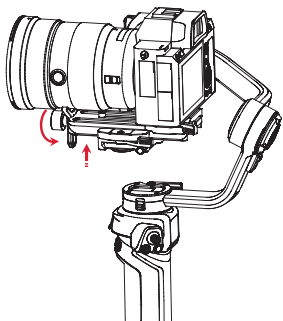
1. Loosen the quick release plate latch ①, install the lower-layer quick release plate to the leveling base ②, and tighten the latch ③. Mount the camera to the upper-layer quick release plate and tighten the screw with the camera installation latch ④. Take the upper-layer quick release plate with the camera mounted on it and install it wholly to the lower-layer quick release plate ⑤ and tighten the latch at the upper-layer quick release plate ⑥.



- 💡 When detaching, loosen the latch at the upper-layer quick release plate ①, then press and hold the upper-layer quick release plate lock switch ②. The camera and upper-layer quick release plate can then be detached ③.

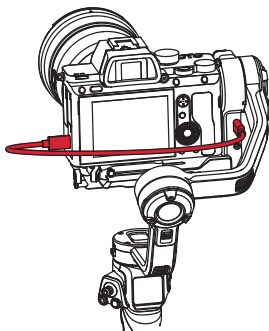



2. Install the lens support to the lower-layer quick release plate. Adjust the height of the lens support according to the lens position. Make sure a firm installation of the lens and tighten the screw.



- 💡 To make sure a firm installation of the lens, please install the lens support if the lens is long and heavy. You can choose to whether install the lens support according to actual filming scenario.

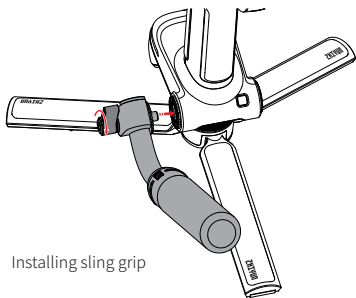
3. Connect the camera control port and camera/image transmission control port of the gimbal with a camera control cable.



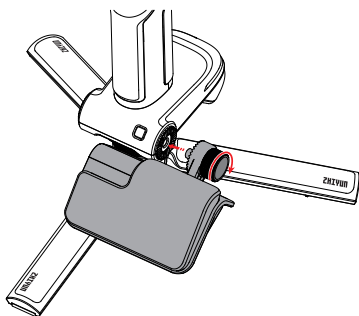
-  There are four camera control cables: Type-C to Multi USB/Type-C to Type-C USB / Type-C to Micro USB / Type-C to Mini USB. Choose the correct cable corresponding to the USB port type of the camera. For the compatibility details, please visit the official website of ZHIYUN (www.zhiyun-tech.com) and check the WEEBILL 3 Camera Compatibility List .

Installing TransMount Wrist Rest and TransMount Extendable Sling Grip (hereinafter referred to as “Sling Grip” and “Wrist Rest”)

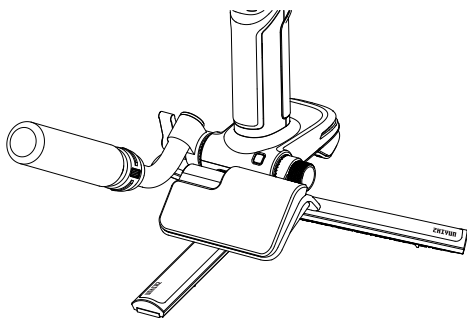
Install the sling grip/wrist rest screw to the screw hole. Adjust the sling grip/wrist rest to the proper position and tighten the screw to complete the installation.




Installing sling grip



Installing wrist rest

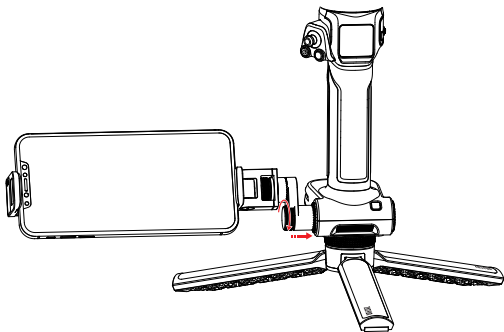


Installation complete

 Please adjust the sling grip and wrist rest to a proper position to avoid unpleasant user experience. The sling grip is extendable, you can adjust it to the length that best suits you.

Installing Phone Clamp

Install the phone clamp screw to the phone clamp installation screw hole of the gimbal and tighten the screw. You can adjust the phone clamp to your desired angle and mount the smartphone to the phone clamp.

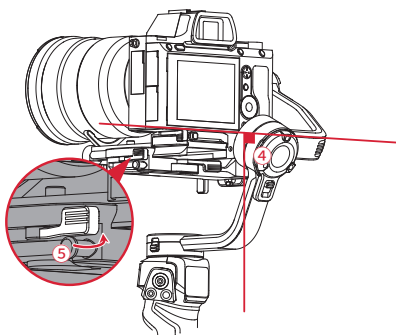
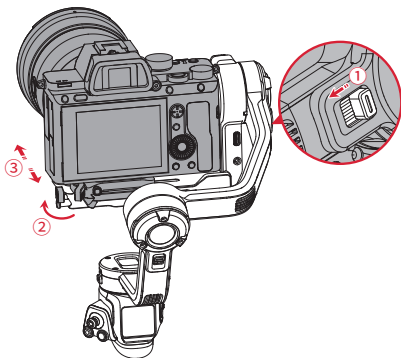


- ① Phone clamp is not included in the WEEBILL 3 package. Please purchase separately.
- ② Phone clamp and sling grip cannot be installed at the same time. Please refer to actual use and install either one of them.

Balancing

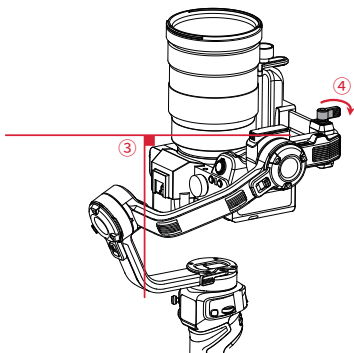
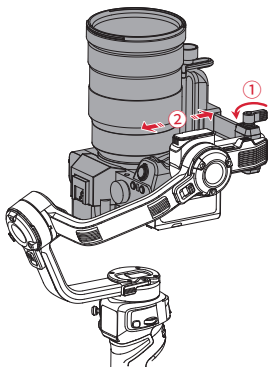
1. Horizontal Balance of the Tilt Axis

Unlock the tilt axis lock switch ① and loosen the quick release plate latch ② . Push the camera to move forward or backward ③ until the camera can stay still and almost level with its lens facing front ④ . Complete this step by tightening up the quick release plate latch ⑤ .



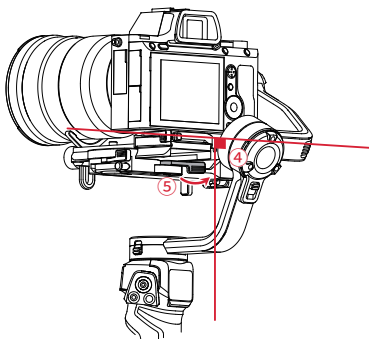
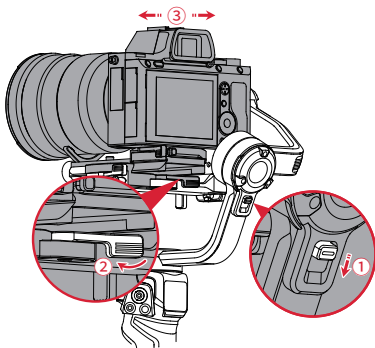
2. Vertical Balance of the Tilt Axis

Make the lens face up, loosen the level mount lock screw ① . Push the whole level mount to move forward or backward ② . Push until the camera can stay still with the lens facing up (i.e.the camera stays still and vertical to the ground) ③ . Complete this step by tightening up the screw ④ .



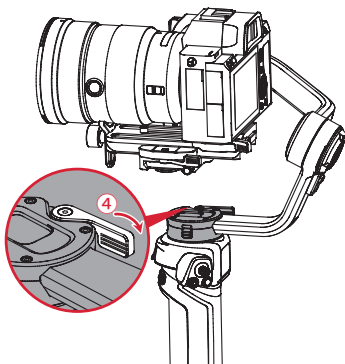
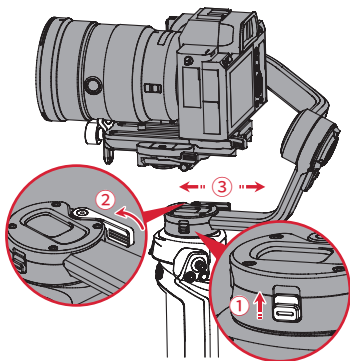
3. Roll Axis Balance

Unlock the roll axis ① and loosen the quick release plate leveling base latch ② . Push the camera to move left or right ③ until the camera can stay still and horizontal to the ground ④ . Complete this step by tightening up the latch ⑤ .



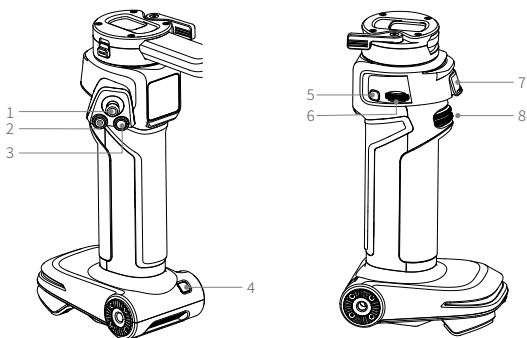
4. Pan Axis Balance

Unlock the pan axis ①, loosen the pan axis latch ②, hold and slightly tilt the handle, push the pan axis to move left or right ③ until the pan axis can stay still in any position. Complete this step by tightening up the pan axis latch ④.



💡 After balancing WEEBILL 3, the motor torque needs to be adjusted for proper function. For the adjustment details, please see the methods introduced in "Motor Torque Adjustment".

Button Description



1

**Joystick**

Push up/down/left/right to control the gimbal to rotate.

2

**Photo/Video Button**

Half press: Activate auto-focus on certain cameras.
 Long press: Take photos.
 Single press: Start/stop filming videos.

3

**Mode Switch**

Single press: Switch among PF/L/F mode.
 Double press: Switch among POV/V/Portrait mode.
 Long press: Sleep/wake mode for the gimbal motors.

4

**Power Button**

Long press: Turn on/off the gimbal.

5

**Menu/Return Button**

Single press: Enter/exit menu. When in the submenu, press to return to the previous menu.

6

**Fill Light Control Wheel**

Single press:

When the fill light is on, press to switch between fill light brightness/color temperature level.

When in the menu, press to confirm.

Scroll:

When the fill light is on, scroll to adjust fill light brightness/color temperature level.

When in the menu, scroll to select menu/adjust parameter.

Long press: Turn on/off the fill light.

7

**Trigger Button**

Single press: Switch to customized gimbal mode.

Double press: Gimbal reposition.

Triple press: Selfie mode.

Long press:

Enter Go mode. Release to return to the previous mode.

8

**Control Wheel**

Can be customized in the menu (aperture, shutter, ISO, digital focus, focus /zoom control motor, roll axis, tilt axis, pan axis).

Display Screen Description

Main page
(set as default)



Main interface
(when connected to
camera)



Main Interface
(when connected to
camera and fill light is
on)



Shooting a video

*BRT 50%
CT 5500K

Fill light brightness/
color temperature level
adjustment interface

*Motor Torque
Parameter
Focus Control Motor

Main menu




Axis locked



Standby

Icon Description

	Camera and gimbal are successfully connected
	Image transmission transmitter and gimbal are successfully connected
	Current gimbal battery level
	Indicates that the locks on the three axes have not been released and an alarm will sound (release the locks, and press and hold the M button to resume operation)
	Standby icon, displayed when the motor is in sleep mode
	Camera connected to gimbal
	Camera shooting a video
	Fill light is on
PF	Pan Follow Mode

L	Lock Mode
POV	POV Mode
V	Vortex Mode
F	Follow Mode
GO	Go Mode
P	Portrait Mode
AV	Current camera aperture value
TV	Current camera shutter speed
ISO	Current camera ISO value
	Current camera EV value

Menu Description

Motor Torque	Auto Calibration		
	Custom	Tilt axis	
		Roll axis	
		Pan axis	
	Level	Low	
		Medium	
High			
Parameter Settings	Speed	Joystick control	Tilt axis
			Roll axis
			Pan axis
	Motor follow speed	Tilt axis	
		Roll axis	
		Pan axis	

Parameter Settings	Smoothness	Tilt axis		
		Roll axis		
		Pan axis		
	Deadband	Tilt axis		
		Roll axis		
		Pan axis		
	Responsiveness	16/24/35/50/ 70/105mm	For better tracking results, please choose the current focal length corresponding to the lens in the menu. (For example, if the current focal length of the lens is 50mm then choose "50mm" in the menu.)	
	Restore Default Settings	Confirm		
Cancel				
Control Wheel	focus			
	zoom			
	Electronic follow focus			
	Electronic zoom			
	Aperture			
	Shutter			
	ISO			
	Tilt axis			
	Roll axis			
	Pan axis			
	Disable control wheel			
	Handle			
	External			
	Off			
	On			

Single Press Trigger Button	PF/L/F/POV/V/P	Set the operation mode when pressing the trigger button once	
V Mode Settings*	Speed	Rotation speed	
	Orientation	Clockwise	
		Counterclockwise	
Angle	Unlimited		
	Custom	Turns	
Motionlapse	Preset	Two preset paths available: preset 1 / preset 2	
	Mode	Two modes available: photo / video	
	Points	Five at most key points can be set (A, B, C, D, E)	
	Time	"interval" for the time interval of photo taking, "duration" for the total amount of time	
	Preview	Quick preview of the set path	
	Start	Enable motionlapse	
Focus Control Motor Settings	focus/zoom	Sensitivity	Low
			Medium
			High
		AB point**	A (Set the current focus control motor position as A point)
			B (Set the current focus control motor position as B point)
			Clear (clear AB point)
		Reverse	Off
On			
Angle Fine-tuning	Tilt axis		
	Roll axis		
Restore Default Settings	Confirm		
	Cancel		

Language	Simplified Chinese
	English
About	Product Name, Firmware Version, Bluetooth Name
<p>*To enter: Switch the gimbal mode to V mode, press the fill light control wheel in the V Mode Setting menu. To exit: Single press the mode switch. **AB point settings are only available when connecting to ZHIYUN Servo Follow Focus correctly.</p>	

Motor Torque Adjustment

After balancing WEEBILL 3, the motor torque needs to be adjusted for proper function. You can adjust the motor torque according to the weight of your camera and lens, so that the WEEBILL 3 can be used in its ideal state. Following are three methods for adjustment. It is recommended to use auto-calibration.

1. Auto calibration

Auto calibration will adjust the motor torque according to the weight of the carried camera and lens.

Operation steps:

Press Menu / Return button to enter the menu. Rotate the fill light control wheel to select “Motor torque” and press the wheel to enter the next menu. Rotate the control wheel to select “auto calibration” and press the control wheel to confirm. The gimbal will then enter auto calibration mode. Please don't touch the gimbal and wait for the display screen to show the “√” mark after the gimbal shakes. The auto calibration is then complete.

2. Custom

The power determines the torque of the motor, and needs to be adjusted according to the camera and the lens on the gimbal. The power should be proportional to the weight of the load. A high power value will cause the gimbal itself to vibrate, while a value that is too low will affect the stability of the gimbal.

Operation steps:

Press Menu/Return button to enter the menu and select “Motor Torque”. Press the fill light control wheel to enter the next menu. Rotate the control wheel to select “custom” and press the control wheel to enter the adjustment interface. Rotate the control wheel to select the axis you wish to adjust and press the

control wheel to confirm. To set the power value, you can rotate the control wheel. To complete the setting, press the control wheel to exit the interface, press the Menu/Return button to save the settings and return to the previous menu. When the display screen shows the “√” mark, the adjustment is complete.

3. Level


Three motor torque levels from low to high are provided based on the combined weight of mainstream camera lenses available on the market. Users can select the corresponding motor torque level according to the weight of their camera and lens.

Operation steps:

Press Menu/Return button and rotate the fill light control wheel to select “Motor torque”. Press the control wheel to enter the next menu and rotate the control wheel to select “level”. Press the control wheel to enter the next menu, select your desired level and press the control wheel to confirm. When the display screen shows the “√” mark, the selection is complete.

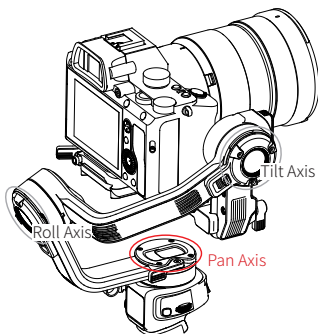
- ① When adjusting the motor torque, make sure that the lock switches of the three axes on the gimbal are turned on, and the gimbal is upright and placed on level ground.
- ② If a load is changed, please readjust the balance and adjust the power values using the method mentioned above.
- ③ It is recommended to use auto-calibration first. If auto-calibration fails to meet your requirements, you can use custom settings to fine-tune the values. If the above two methods still do not meet your requirements, use the level adjustment to select the power.

Gimbal Mode Description

 Motors circled in red are free to move in line with the movement of the gimbal handle while motors circled in grey are locked.

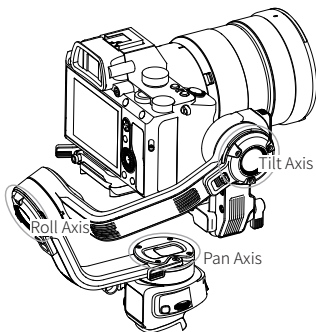
Pan Follow mode (PF):

The tilt axis and roll axis motors are locked, and the camera rotates with the handle while panning horizontally. Push the joystick up / down to control the tilt axis angle, and push it left/right to control the pan axis of the camera.



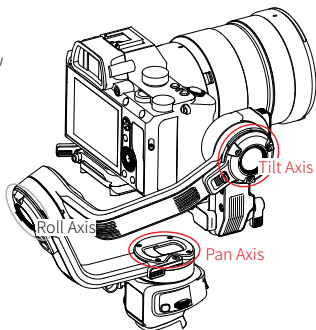
Lock mode (L):

All three motor angles are locked, and the camera orientation will not move with the rotation of the handle. Push the joystick up / down to change the tilt angle of the camera and left / right to change the horizontal orientation of the camera.



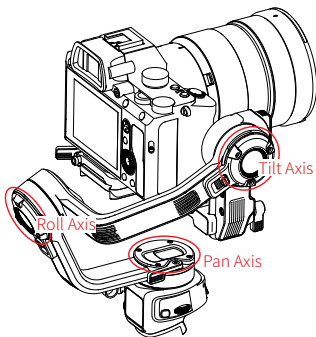
Follow mode (F):

The roll axis motor is locked, and the tilt axis and pan axis motors follow the rotation of the handle. Push the joystick up/down to change the tilt angle of the camera and left/right to change the horizontal orientation of the camera.



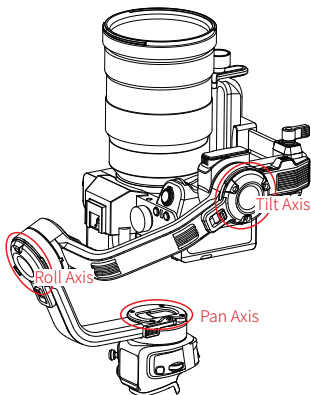
Point of View mode (POV):

All three motors move when the handle is rotated.

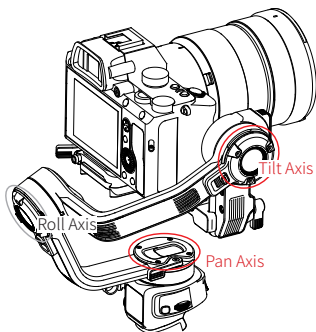


Vortex mode (V):

The tilt axis motor rotates upward by 90° , and the tilt axis, roll axis, and pan axis motors follow the rotation of the handle. Push the joystick to the left/right to control the rotation of the pan axis.

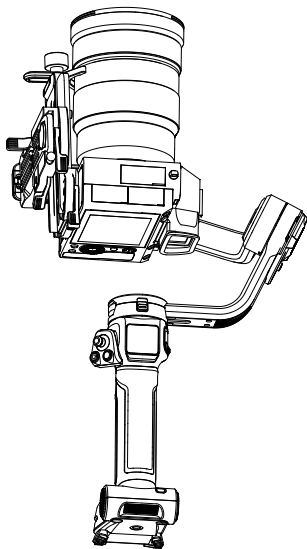
**Go mode (GO):**

The roll axis motor is locked, and the tilt axis and pan axis motors quickly follow the rotation of the handle.



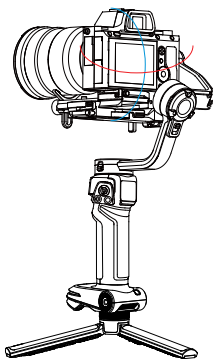
Portrait mode (P):

The tilt axis motor rotates upward by 90° and the pan axis rotates by 90° . You can enter this mode for vertical shooting.



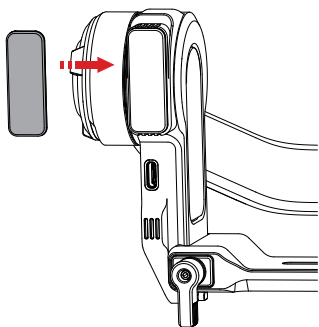
Manual Reposition

In Pan Follow mode (PF), Lock mode (L), and Follow mode (F), the camera can be rotated by a certain angle by hand. Hold it for 2s and the camera angle will be fixed at that angle after you release the camera (tilt axis, pan axis).



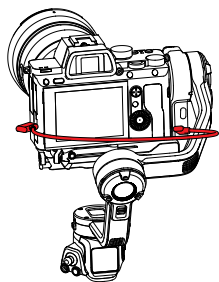
Changing Fill Light Filters

The fill light filters for WEEBILL 3 are magnetic and easy to detach. There are four colors for the filters: red, yellow, blue, and orange. You can change your fill light filters according to your actual filming scenarios.



How to Use the Built-in Microphone

By connecting the microphone input port of camera and the audio transmission port of WEEBILL 3 using the correct audio cable corresponding to the port type of the camera, the microphone in the gimbal can receive audio when the gimbal is controlling the camera to record a video.

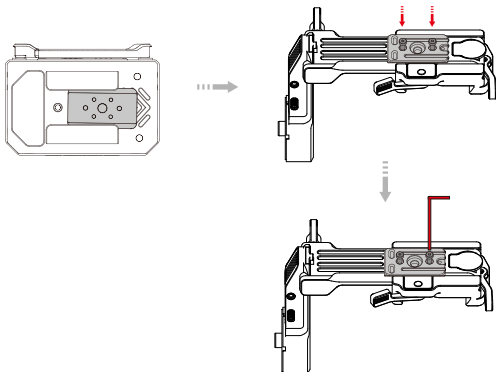


- ① There are two types of audio cables in the package:
CTIA2.5 to CTIA2.5/CTIA2.5 to CTIA3.5.
Please refer to actual use when choosing the audio cable.
- ② The audio reception of the microphone is omnidirectional.

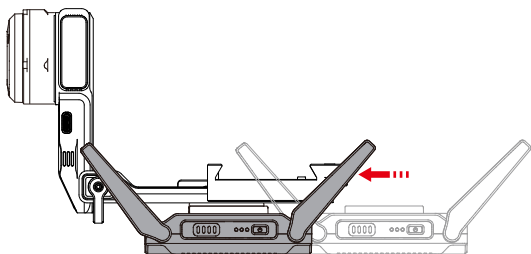
Use with TransMount Video Transmission Transmitter (AI) (hereinafter referred to as "transmitter AI")


Install

1. Take out the transmitter mounting plate, mount the transmitter mounting plate to the bottom of the WEEBILL 3's level mount (note the direction of the notch), and use the wrench to tighten the screws.



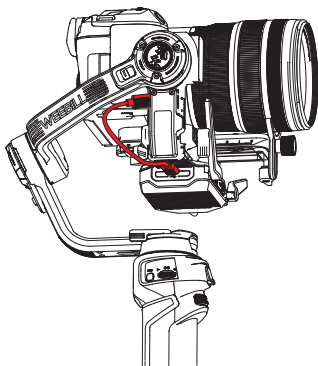
2. Place the transmitter AI with the mounting plate slot facing up, align the transmitter mounting plate, push the transmitter AI toward the tilt axis motor until it clicks into the safety lock to make sure a firm installation.



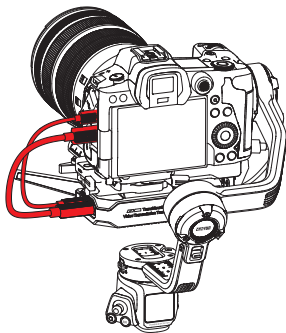
-  In order to have the best image transmission, please rotate the antenna to the position as shown in the image. The antenna can only be rotated in one direction. Please rotate properly. For more details, please read the user guide of transmitter AI.

Connect

1. Take the gimbal-only cable (Type-C to Type-C LN-UCUC-A02), connect with the camera/image transmission control port of WEEBILL 3 and the Type-C charging/communication port of the transmitter AI.






2. Take the camera control cable corresponding to the USB port model of the camera, connect to the camera control port of the transmitter AI and the USB port of the camera. Use the HDMI cable corresponding to the HDMI port model of the camera, connect to the HDMI video input port of the transmitter AI and the HDMI output port of the camera.



- ① WEEBILL 3 can also be used with TransMount Image Transmission Transmitter 2.0. The installation steps are similar to transmitter AI. Please choose proper cables when installing.
- ② It is recommended that the WEEBILL 3 and transmitter AI be shut down and powered off before plugging in or out the cable. The actual color of the cable is black. The red color used in the manual is only used for illustrative purposes.
- ③ To know how you can connect the camera control cable and the HDMI cable, please visit the official website of ZHIYUN (www.zhiyun-tech.com) to find "TransMount Video Transmission Transmitter AI Camera Compatibility List".
- ④ After installing the device, you need to adjust the balance of the WEEBILL 3.

Use

1. Power on WEEBILL 3, transmitter AI and camera. When the screen on WEEBILL 3 shows the icon [], and gives a "beep" sound, the connection is successful. You can then control the camera via the gimbal buttons.
 2. Launch the "ZY Play" app. Select the WEEBILL 3 page and tap to connect. Select the Bluetooth name of your WEEBILL 3 to connect. (the WEEBILL 3 Bluetooth name can be found on the tilt axis USER ID: XXXX).
 3. When the app enters the image transmission interface, tap the Wi-Fi icon [], and follow the instruction to connect the transmitter AI Wi-Fi (default password: 12345678). Tap the image transmission icon [], to enable image transmission. You can then watch the real-time footage of the camera on "ZY Play" app. You can also use the virtual joystick on the app to control the camera to take photos/shoot videos or control the gimbal to rotate.
- 💡 The transmitter AI should be used with the "ZY Play" app. To know how you can download the app, please see the method introduced in "How to Use the App".

Download the App

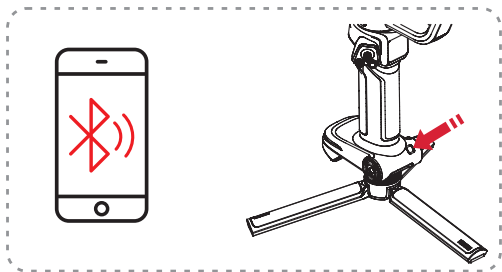


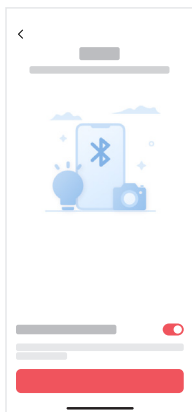
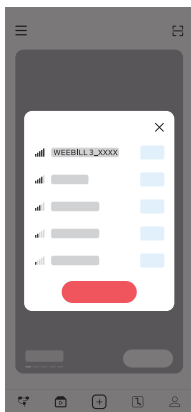
Scan the QR code on the left (Android 5.0 and above, iOS 9.0 and above required) or search "ZY Play" in App Store or Google Play to download.

- ① "ZY Play is an app dedicatedly designed for WEEBILL 3. When activated WEEBILL 3 via "ZY Play", you can also use it for firmware upgrade, virtual joystick control, motion sensor control, camera footage monitoring and parameter adjustment (when installed image transmission system), etc.
- ② ZY Play is subject to updates without notice. Please always refer to the latest version.

How to Connect

1. Power on WEEBILL 3 and turn on Bluetooth on the smartphone.
2. Launch the "ZY Play" app. Select the WEEBILL 3 page and tap to connect. Select the Bluetooth name of your WEEBILL 3 to connect (the WEEBILL 3 Bluetooth name can be found on the side of the tilt axis USER ID: XXXX).
3. Activation is required if the WEEBILL 3 connects the "ZY Play" app for the first time. Otherwise, the advanced features in "ZY Play" will not be available. When connected with the app, please follow the instructions to activate. Internet connection is required.
4. After the activation succeeds, you can enter the feature interface of ZY Play App.





ZY Play Feature Description



💡 For more details of the “ZY Play” app features, please visit the official website of ZHIYUN (www.zhiyun-tech.com) and watch WEEBILL 3 video tutorials.

Circumstances When Calibration Is Needed

Calibrate the gimbal as needed.

Calibration Reason	How to calibrate
1. Slight deviation is found in the level position after powering on the gimbal. 2. The gimbal has not been used for a long time. 3. The gimbal undergoes significant temperature difference in operation environments.	Six-side Calibration
Slight deviation is found in the tilt or roll angle in level position after six-side calibration of the gimbal.	Motor fine-tuning

Six-side Calibration

1. Six-side calibration via APP:

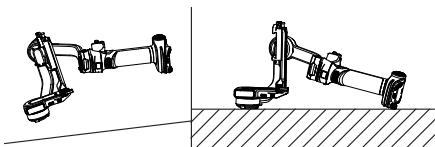
According to the method introduced in "How to Use the App", please connect the stabilizer to the APP, and enter "Settings"- "Six-side Calibration", then conduct the six-side calibration according to the prompt.

2. Six-side calibration via "Zhiyun Gimbal Tools":

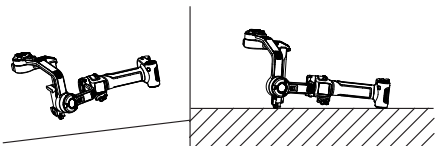
Power on the stabilizer and enter standby mode. Connect the charging/upgrade port of the stabilizer to the computer with the Type-C USB cable, Open "Zhiyun Gimbal Tools", click "open" on the top and click "calibration" on the bottom. Please conduct the process according to the following steps. A "√" mark will appear after the calibration is completed.

- ① Please refer to the six-side calibration steps below. After the calibration is completed, please restart the stabilizer.
- ② In simple terms, six-side calibration is to place all six sides of the quick release plate in vertical to a level surface respectively.

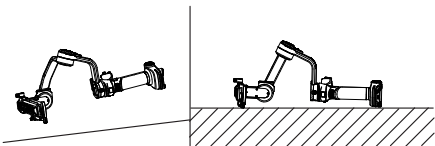
Step 1



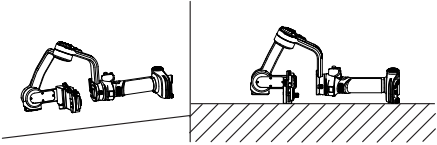
Step 2



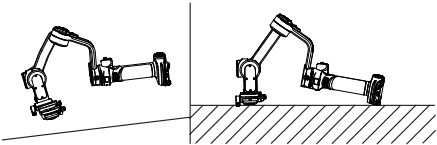
Step 3



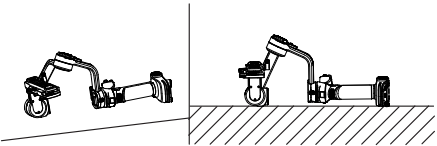
Step 4



Step 5



Step 6



Motor Fine-Tuning

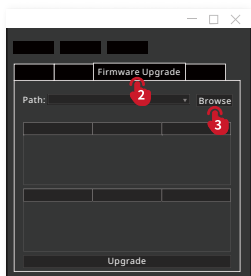
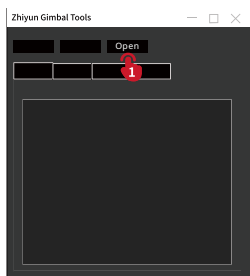
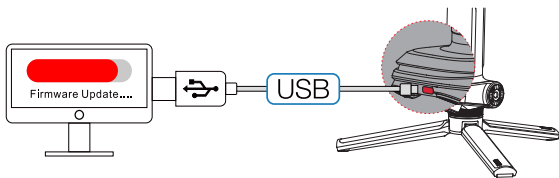
Select “Motor Fine-tuning” in the main menu to fine-tune the value of the tilt axis and roll axis according to actual needs.

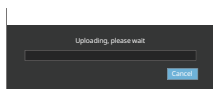
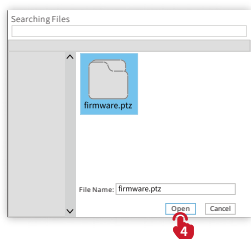
Firmware Upgrade

You can use “Zhiyun Gimbal Tools” or “ZY Play” app to perform WEEBILL 3 firmware upgrade.

Method One:

1. Connect the Type-C charging/upgrade port of WEEBILL 3 to the computer with the Type-C USB cable, power on WEEBILL 3.
2. Visit the official website of ZHIYUN (www.zhiyun-tech.com), go to the WEEBILL 3 product page, click "Download", find the USB driver, the calibration upgrade tool and the firmware and download. (USB drivers are not required for Mac OS systems)
3. Install the driver, unzip the firmware for the documents with the ".ptz" file extension.
4. Open "Zhiyun Gimbal Tools", click "Open", click "Firmware Upgrade". Click "Browse" under "Path" to select the latest firmware downloaded (with the ".ptz" file extension), and click "Upgrade" at the bottom to upgrade firmware.





Method Two:

When WEEBILL 3 is connected to “ZY Play” app, if a firmware update prompt pops up on the app, please follow the instructions to upgrade. Internet connection is required. To know how you can connect WEEBILL 3 to “ZY Play”, please check the method introduced in "How to Use the App".

- ① When upgrading with Method One, please wait until the screen displays that the upgrade is finished, then you can plug out the USB Type-C cable.
- ② Before upgrading the firmware, please ensure that the WEEBILL 3 has more than 50% power remaining. Do not exit the app interface or access in the background during the upgrading process. Pay attention to the prompts on the app.

Product Model: CR124

	Min.	Standard	Max.	Remark
Operation Voltage	9.8V	11.1V	12.6V	
Operation Current	160mA	-	6000mA	
Output Voltage (Camera Control Port)	-	5V	-	
Output Current (Camera Control Port)	-	1A	-	
Output Voltage (Focus Motor Control Port)	9.9V	-	12.6V	
Output Current (Focus Motor Control Port)	0.1A	-	2A	
Tilt Mechanical Range	-130°	-	+180°	
Roll Mechanical Range	-280°	-	+60°	
Pan Mechanical Range	-	360°	-	
Controllable Tilt Angle	-90°	-	+160°	
Controllable Roll Angle	-30°	-	+35°	
Controllable Pan Angle	-	360°	-	
Operation Temperature	-10°C	25°C	45°C	
Battery Capacity	-	2600mAh	-	
Battery Runtime	-	21h	-	Lab Data 1
Charging Time	-	2h	-	Lab Data 2
Gimbal Net Weight	-	≈ 1130.8g	-	

Quick Release Plate Weight	-	≈ 108.9g	-
Tripod Weight	-	≈ 157.1g	-
Gimbal Size (folded)	-	342*206.5*72.5mm	-
Gimbal Size (expanded)	-	332.23*235.38*158.13mm	Without tripod
Bluetooth	-	Bluetooth 5.0	-
EIRP	-	<10dBm	-
Operation Frequency	-	2.4GHz	-
Camera Charging	-	Able to charge 5V/1A cameras	-
1/4" Rosette Mount Screw Thread Carry Weight	-	≤ 3000g	-

Lab Data 1: The above data is collected at a specified temperature of 25°C . The WEEBILL 3 is fully charged with 18650-2600mAh batteries and mounted with Nikon D850+Sigma 24-70mm f/2.8L DG. The WEEBILL 3 is properly balanced and put on a flat surface. The maximum runtime is 21h.

Lab Data 2: The data is collected when charging with a 12V PD power adapter at a specified temperature of 25°C . The charging time is 2h. The actual charging time varies with environmental factors. In addition, the lower the temperature, the longer the charging time.

All the data is collected from internal experiments of ZHIYUN laboratories. Under different scenarios, the above data is subject to a margin of error. Please refer to actual use of this product.



Thank you for purchasing WEEBILL 3. The information contains herein affects your safety, legitimate rights and obligation. Please read this instruction carefully to ensure proper configuration before use. Failure to read and follow this instruction and warnings herein may result in serious injury to you or bystanders, or damage to your device or property. Guilin Zhishen Information Technology Co., Ltd (hereinafter referred to as "ZHIYUN") reserves all rights for final explanation on this instruction and other documents related to WEEBILL 3. The information is subject to update without notice. Please visit www.zhiyun-tech.com to obtain the latest product information.

By using this product, you hereby signify that you have read this document carefully and that you understand and agree to abide by the terms and conditions herein. You agree that you are solely responsible for your own conduct while using this product, and for any consequences thereof. You agree to use this product only for purposes that are proper and in accordance with all terms, precautions, practices, policies and guidelines ZHIYUN has made and may make available.

ZHIYUN accepts no liability for damage, injury or any legal responsibility incurred directly or indirectly from the use of this product. Users shall observe safe and lawful practices including, but not limited to, those set forth herein.

ZHIYUN™ is the trademark of Guilin Zhishen Information Technology Co., Ltd and its affiliates. All product names or trademarks referred to herein are trademarks or registered trademarks of their respective holders.

Reading Tips

Legends:  Hints and Tips  Important

Warnings

Read the ENTIRE User Guide to become familiar with the features of this product before operating. Failure to operate the product correctly can result in damage to the product or personal property and cause serious injury. This is a sophisticated product. It must be operated with caution and common sense and requires some basic mechanical ability. Failure to operate this product in a safe and responsible manner could result in injury or damage to the product or other property. This product is not intended for use by children without direct adult supervision. DO NOT use with incompatible components or in any way otherwise as mentioned or instructed in the product documents provided by ZHIYUN. The safety guidelines herein contain instructions for safety, operation and maintenance. It is essential to read and follow all of the instructions and warnings in the User Guide, prior to assembly, setup or use, in order to operate the product correctly and avoid damage or serious injury.

Safe Operation Guidelines

WARNING

1. WEEBILL 3 is a high-precision control device. Damage may be caused to WEEBILL 3 if dropped or subject to external force, and this may result in malfunction.
2. Make sure the rotation of the stabilizer axes is not blocked by external force when WEEBILL 3 is turned on.
3. WEEBILL 3 is not waterproof. Prevent contacts of any kind of liquid or cleaner with the WEEBILL 3. It is recommended to use dry cloth for cleaning.
4. Protect WEEBILL 3 from dust and sand during use.

WARNING: To avoid fire, serious injury, and property damage, observe the following safety guidelines when using, charging, or storing your batteries.

1. Prevent the batteries from coming into contact with any kind of liquid. Do not leave batteries out in the rain or near a source of moisture. Do not drop the battery into water. If the inside of the battery comes into contact with water, chemical decomposition may occur, potentially resulting in the battery catching on fire, and may even lead to an explosion.
2. If the battery catches fire, use sand or dry powder fire extinguisher immediately to put out the fire.
3. Never use non-ZHIYUN batteries. If replacement or backup is needed, please purchase new batteries from ZHIYUN's official website or authorized channels. ZHIYUN takes no responsibility for any damage caused by non-ZHIYUN batteries.
4. Never use or charge swollen, leaky, or damaged batteries. Never use or charge if the battery smells, or overheats (exceeding the maximum temperature of 160 ° F/71 ° C). If your batteries are abnormal, contact ZHIYUN or a ZHIYUN authorized dealer for further assistance.
5. The battery should be used within the temperature range from -10° C to 45° C. Use of battery in environments above 45° C may lead to a fire or explosion. Use of battery below -10° C may lead to serious battery damage.
6. Do not use the battery in strong electrostatic or electromagnetic environments. Otherwise, the battery protection board may malfunction.
7. Do not disassemble or use any sharp object to puncture the battery in any way. Otherwise, the battery may leak, catch fire or explode.
8. Do not mechanically strike, crush, or throw the battery. Do not place heavy objects on the battery or charger.
9. Electrolytes inside the battery are highly corrosive. In case of accidental

contact of any electrolytes with your skin or eyes, rinse immediately with water for at least 15 minutes and seek medical advice as soon as possible.

10. Do not use the battery if it has been involved in a crash or heavy impact.
11. Do not heat the battery and never put the battery in a microwave oven or in a pressurized container.
12. Do not place the battery on a conductive surface (such as a metal desk surface, eyeglasses, watch, jewelry, etc.)
13. Prevent use of wires or other metal objects that could cause positive and negative short-circuit to the battery.

Battery Charging

1. Do not put the battery and charger near flammable materials or on flammable surfaces (such as carpet or wood). Never leave the battery unattended during charging to prevent any accident.
2. Please disconnect the battery and the charger when fully charged.
3. Do not charge the battery immediately after use, because the battery temperature may be too high. Do not charge the battery until it cools down to normal room temperature. Charging the battery with its temperature over 45° C or lower than 0° C may lead to leakage, overheating, or damage.

Battery Storage

1. Keep batteries out of the reach of children and pets.
2. Do not leave the battery near heat sources such as a furnace or heater, or inside of a vehicle on hot days. Never expose the battery in any environment with temperature of over 60° C. The ideal storage temperature is 22° C-28° C.
3. Store batteries in a dry environment.
4. Do not leave the battery unused for too long after it has been completely discharged to prevent over-discharge of battery which may result in battery damage and permanent failure.

Battery Maintenance

1. Do not over-charge or over-discharge the battery, which will damage the battery;
2. The battery performance will be affected for not being used for a long time;
3. Never use the battery when the temperature is too high or too low;
4. Do not store the battery where the ambient temperature exceeds 60° C.
5. Recharge and discharge every 3 months to keep the battery active.

Battery Disposal

Please fully discharge the battery before putting it in the designated recycling bin. Batteries contain hazardous constituents and it is forbidden to put the battery in general waste bin. For related details please abide by the local laws and regulations on battery recycling and disposal.

Warranty Period

1. Customers are entitled to replacement or free repair service in case of quality deficits found in the product within 15 days upon receipt of the product.
2. Customers are entitled to free repair service from ZHIYUN for any product proven defective in material or workmanship that results in product failure during normal consumer usage and conditions within the valid warranty period, which is 12 months counting from the date of selling. However, warranty period varies by product component and country of purchase. Please contact our after-sales service team on the ZHIYUN official website or your place of purchase for detailed warranty information.

Warranty Exclusions

1. Products subjected to unauthorized repair, misuse, collision, neglect, mishandling, soaking, accident, and unauthorized alteration.
2. Products subjected to improper use or whose labels or security tags have been torn off or altered.
3. Products whose warranty has expired.
4. Products damaged due to force majeure, such as fire, flood, lightning, etc.

Warranty Claim Procedure

1. If failure or any problem occurs to your product after purchase, please contact a local agent for assistance, or you can always contact ZHIYUN's customer service through email at info@zhiyun-tech.com or website at www.zhiyun-tech.com.
2. Your local agent or ZHIYUN's customer service will guide you through the whole service procedure regarding any product issue or problem you have encountered. ZHIYUN reserves the right to reexamine damaged or returned products.

Customer information

Customer Name :

Contact No :

Address :

Sales Information

Sales Date :

Prod. Serial No :

Dealer :

Contact No ::

#1 Maintenance Record

Service Date :

Signature of Repairman :

Cause of Problem :

Service Result :

 Solved Unsolved Refunded
(Replaced)



Website



Weibo



Vimeo



Google+



Facebook
(Zhiyun Support)



Facebook
(Zhiyun Tech)



Youku



Youtube



Wechat



Instagram

Tel: +86 400 900 6868

USA Hotline: +1 808-319-6137,9:00-18:00 GMT-7,Mon-Fri

Europe Hotline: +49 (0) 61018132180,10:00-17:00 GMT+1,Mon-Fri

Web: www.zhiyun-tech.com

E-mail: info@zhiyun-tech.com

Address: 09 Huangtong Road, Tieshan Industrial Zone, Qixing District, Guilin, 541004, Guangxi, China.

Certificate of Quality

This product is confirmed to meet quality standards and permitted for sale after strict inspection.

QC Inspector: _____



Please download the latest version from www.zhiyun-tech.com

This document is subject to change without notice.

ZHIYUN™ is a trademark of ZHISHEN.

All other trademarks cited herein are the property of their respective owners.

Copyright © 2022 ZHISHEN. All rights reserved.

ZHIYUN-TECH.COM